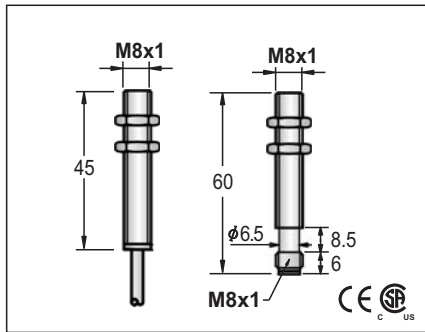


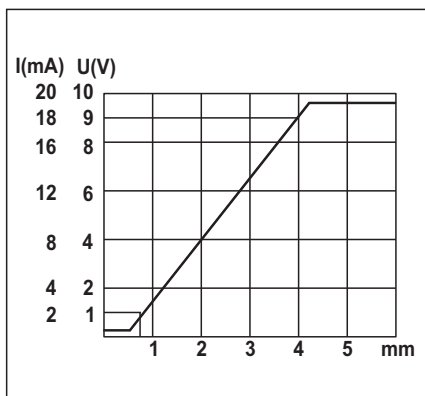
# M8、M12

## INDUCTIVE VOLTAGE AND CURRENT OUTPUT LONG DISTANCE ANALOG SENSOR

M 8
●
0-4 mm
Chrome-plated brass
○



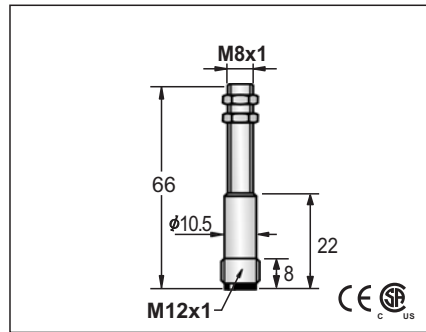
10...30 / 15...30VDC
≤20%
≤10mA
0-5V/0-10VDC ≥2KΩ
-
<5%
-
-25°C ~ +70°C
≤5%(0...+70°C) / ≤10%(-25...0°C)
YES
YES
IP67
0...5V 1...5mA / 0...10V 4...20mA
1.6KHz(at s=2mm)
-
RFI>3V/m / EFT>1KV / ESD>4KV (contact)
IEC 60947-5-2,Part 7.4.1 / IEC 60947-5-2,Part 7.4.2
PBT



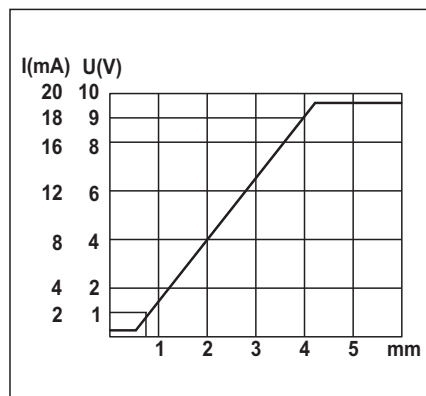
<u>LCM1-0804G-M3U2</u>	<u>17</u>	<u>LCM1-0804G-MGU3</u>	<u>83</u>

4φ3x0.15	—
approx.40g	approx.15g

M 8
●
0-4 mm
Chrome-plated brass
○



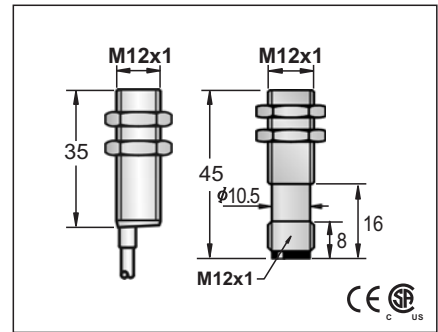
10...30 / 15...30VDC
≤20%
≤10mA
0-5V/0-10VDC ≥2KΩ
-
<5%
-
-25°C ~ +70°C
≤5%(0...+70°C) / ≤10%(-25...0°C)
YES
YES
IP67
0...5V 1...5mA / 0...10V 4...20mA
1.6KHz(at s=2mm)
-
RFI>3V/m / EFT>1KV / ESD>4KV (contact)
IEC 60947-5-2,Part 7.4.1 / IEC 60947-5-2,Part 7.4.2
PBT



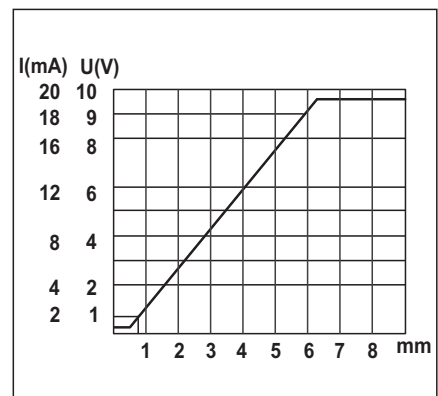
<u>LCM1-0804G-MRU4</u>	<u>17</u>	<u>LCM1-0804G-MRS4</u>	<u>86</u>

—	—
Approx.25g	—

M 12
●
0-6 mm
Chrome-plated brass
○



10...30 / 15...30VDC
≤20
≤10mA
0-5V/0-10VDC ≥2KΩ
-
<5%
-
-25°C ~ +70°C
≤5%(0...+70°C) / ≤10%(-25...0°C)
YES
YES
IP67
0...5V 1...5mA / 0...10V 4...20mA
1KHz(at s=3mm)
-
RFI>3V/m / EFT>1KV / ESD>4KV (contact)
IEC 60947-5-2,Part 7.4.1 / IEC 60947-5-2,Part 7.4.2
PBT



<u>LCM1-1206G-M3S2</u>	<u>17</u>	<u>LCM1-1206G-MRS4</u>	<u>86</u>

4φ3x0.15	—
approx.67g	approx.30g

Note:

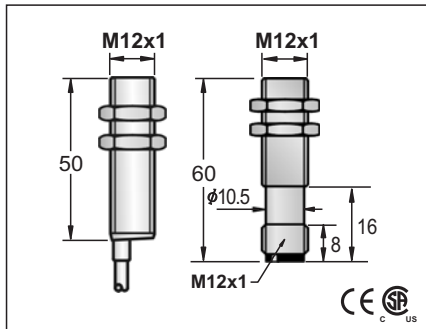
Coming Soon : Part numbers with underline  
 In Preparation: Part numbers with a line through the middle

INDUCTIVE VOLTAGE AND CURRENT OUTPUT LONG DISTANCE ANALOG SENSOR

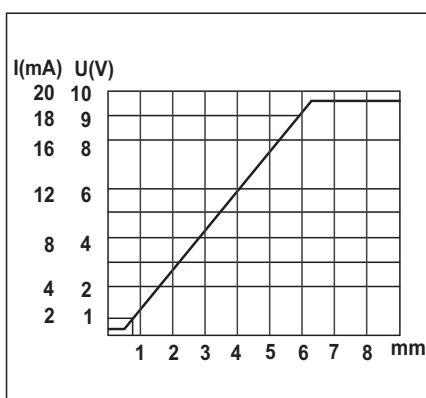
# M12、M18

## INDUCTIVE VOLTAGE AND CURRENT OUTPUT LONG DISTANCE ANALOG SENSOR

M 12
●
0-6 mm
Chrome-plated brass
○



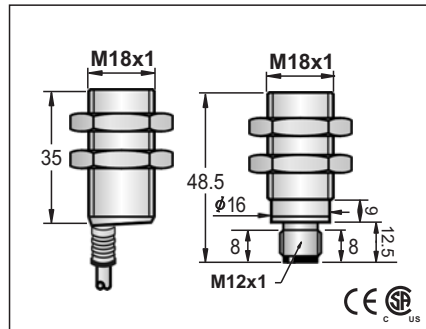
10...30 / 15...30VDC
≤20%
≤10mA
0-5V/0-10VDC ≥2KΩ
-
<5%
-
-25°C ~ +70°C
≤5%(0...+70°C) / ≤10%(-25...0°C)
YES
YES
IP67
0...5V 1...5mA / 0...10V 4...20mA
1KHz(at s=3mm)
-
RFI>3V/m / EFT>1KV / ESD>4KV (contact)
IEC 60947-5-2,Part 7.4.1 / IEC 60947-5-2,Part 7.4.2
PBT



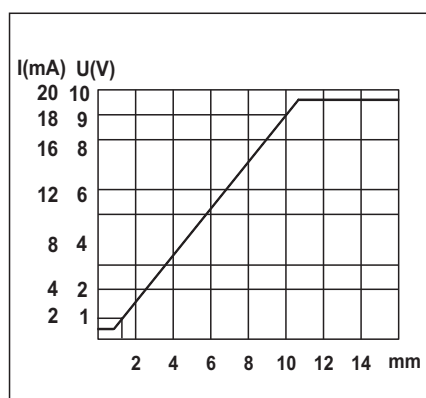
<u>LCM1-1206G-M3U2</u>	<u>17</u>	<u>LCM1-1206G-MRU4</u>	<u>86</u>

4.0 φ3x0.15	—
approx.83g	approx.48g

M 18
●
0-10 mm
Chrome-plated brass
○



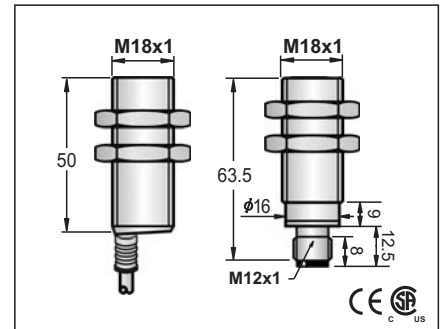
10...30 / 15...30VDC
≤20%
≤10mA
0-5V/0-10VDC ≥4.7KΩ
-
<10%(Sr)
-
-25°C ~ +70°C
≤5%(0...+70°C) / ≤10%(-25...0°C)
YES
YES
IP67
0...5V 1...5mA / 0...10V 4...20mA
500 Hz(at s=5mm)
-
RFI>3V/m / EFT>1KV / ESD>4KV (contact)
IEC 60947-5-2,Part 7.4.1 / IEC 60947-5-2,Part 7.4.2
PBT



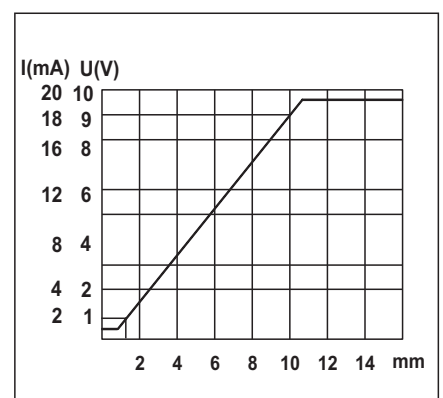
<u>LCM1-1810G-M3S2</u>	<u>17</u>	<u>LCM1-1810G-MRS4</u>	<u>86</u>

5.0 φ44x0.1	—
Approx.138g	Approx.58g

M 18
●
0-10mm
Chrome-plated brass
○



10...30 / 15...30VDC
≤20%
≤10mA
0-5V/0-10VDC ≥4.7KΩ
-
<10%(Sr)
-
-25°C ~ +70°C
≤5%(0...+70°C) / ≤10%(-25...0°C)
YES
YES
IP67
0...5V 1...5mA / 0...10V 4...20mA
500 Hz(at s=5mm)
-
RFI>3V/m / EFT>1KV / ESD>4KV (contact)
IEC 60947-5-2,Part 7.4.1 / IEC 60947-5-2,Part 7.4.2
PBT



<u>LCM1-1810G-M3U2</u>	<u>17</u>	<u>LCM1-1810G-MRU4</u>	<u>86</u>

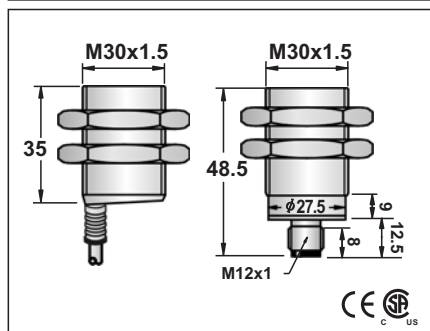
5.0 φ44x0.1	—
Approx.142g	Approx.69g

Note:  
Coming Soon : Part numbers with underline

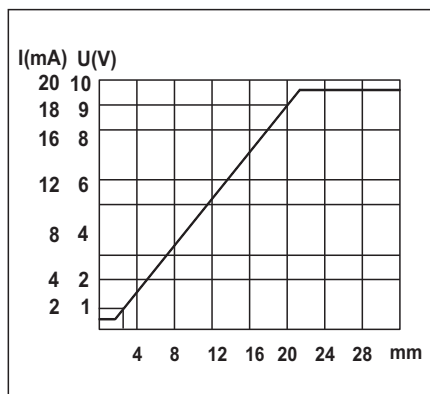
INDUCTIVE VOLTAGE AND CURRENT OUTPUT LONG DISTANCE ANALOG SENSOR

## INDUCTIVE VOLTAGE AND CURRENT OUTPUT LONG DISTANCE ANALOG SENSOR

M 30
●
0-20mm
Chrome-plated brass
○



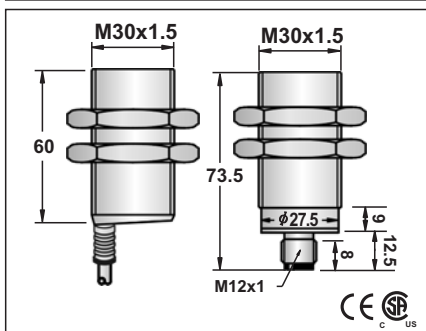
10...30 / 15...30VDC
≤20%
≤10mA
0-5V/0-10VDC ≥4.7KΩ
-
<10%(Sr)
-
-25°C ~ +70°C
≤5%(0...+70°C) / ≤10%(-25...0°C)
YES
YES
IP67
0...5V 1...5mA / 0...10V 4...20mA
200 Hz(at s=10mm)
-
RFI>3V/m / EFT>1KV / ESD>4KV (contact)
IEC 60947-5-2,Part 7.4.1 / IEC 60947-5-2,Part 7.4.2
PBT



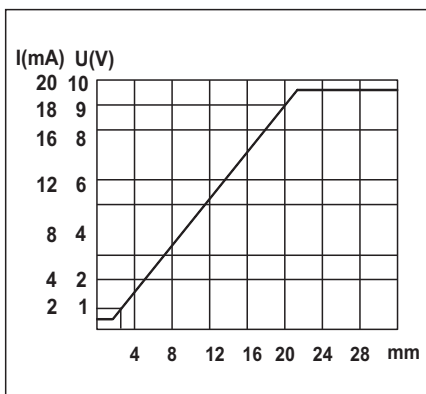
<u>LCM1-3020G-M3S2</u>	<u>17</u>	<u>LCM1-3020G-MRS4</u>	<u>86</u>

5.8 φ4x0.5	—
Approx.153g	Approx.144g

M 30
●
0-20mm
Chrome-plated brass
○



10...30 / 15...30VDC
≤20%
≤10mA
0-5V/0-10VDC ≥4.7KΩ
-
<10%(Sr)
-
-25°C ~ +70°C
≤5%(0...+70°C) / ≤10%(-25...0°C)
YES
YES
IP67
0...5V 1...5mA / 0...10V 4...20mA
200 Hz(at s=10mm)
-
RFI>3V/m / EFT>1KV / ESD>4KV (contact)
IEC 60947-5-2,Part 7.4.1 / IEC 60947-5-2,Part 7.4.2
PBT



<u>LCM1-3020G-M3U2</u>	<u>17</u>	<u>LCM1-3020G-MRU4</u>	<u>86</u>

5.8 φ4x0.5	—
Approx.217g	Approx.207g

Note:  
Coming Soon : Part numbers with underline