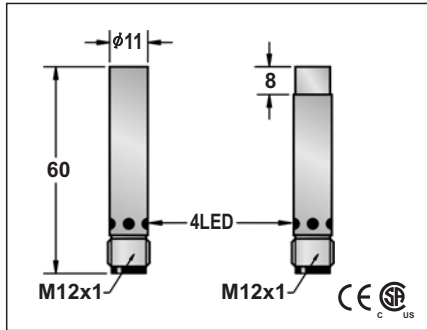






## DC INDUCTIVE PROXIMITY SWITCH CONNECTOR TYPE

φ11	
●	○
2 mm	4 mm
stainless steel or nickel plated brass	
●	

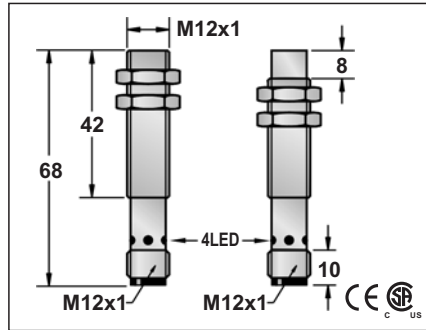


10-30VDC or 5-36VDC or 10-55VDC	
<10%	
<10mA	<20mA
200mA	
<0.01mA	
-	
-	
<1.5V or <1.0V or <2.0V	
2KHZ	1KHZ
0.1ms/0.1ms	0.2ms/0.2ms
<15%(Sr)	
<1.0%(Sr)	
IP67	
-25 °C - +70 °C	
<10%(Sr)	
YES	
220mA	
<10ms	
RFI>3V/m / EFT>1KV / ESD>4KV (contact)	
IEC 60947-5-2,Part 7.4.1 / IEC 60947-5-2,Part 7.4.2	
POM	

FCM1-D1102N-ARU4	33	FCM2-D1104N-ARU4
FCM1-D1102N-BRU4	34	FCM2-D1104N-BRU4
FCM1-D1102P-ARU4	35	FCM2-D1104P-ARU4
FCM1-D1102P-BRU4	36	FCM2-D1104P-BRU4
FCM1-D1102P-SRU4	38	FCM2-D1104P-SRU4
FCM1-D1102N-SRU4	37	FCM2-D1104N-SRU4
FCM1-D1102C-ARU4	40	FCM2-D1104C-ARU4
FCM1-D1102C-BRU4	78	FCM2-D1104C-BRU4
HCM1-D1102N-ARU4	33	HCM2-D1104N-ARU4
HCM1-D1102N-BRU4	34	HCM2-D1104N-BRU4
HCM1-D1102P-ARU4	35	HCM2-D1104P-ARU4
HCM1-D1102P-BRU4	36	HCM2-D1104P-BRU4
ICM1-D1102N-ARU4	33	ICM2-D1104N-ARU4
ICM1-D1102N-BRU4	34	ICM2-D1104N-BRU4
ICM1-D1102P-ARU4	35	ICM2-D1104P-ARU4
ICM1-D1102P-BRU4	36	ICM2-D1104P-BRU4
ICM1-D1102P-SRU4	38	ICM2-D1104P-SRU4
ICM1-D1102N-SRU4	37	ICM2-D1104N-SRU4

Approx.30 g		Approx.29 g	
-------------	--	-------------	--

M 12	
●	○
2 mm	4 mm
stainless steel or nickel plated brass	
●	



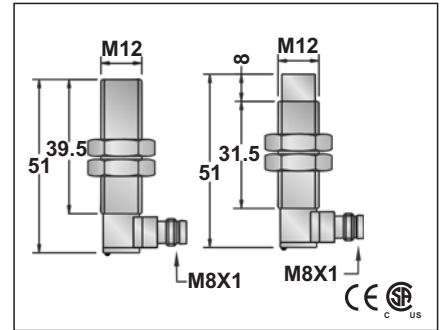
10-30VDC or 5-36VDC or 10-55VDC	
<10%	
<10mA	<20mA
200mA	
<0.01mA	
-	
-	
<1.5V or <1.0V or <2.0V	
2KHZ	1KHZ
0.1ms/0.1ms	0.2ms/0.2ms
<15%(Sr)	
<1.0%(Sr)	
IP67	
-25 °C - +70 °C	
<10%(Sr)	
YES	
220mA	
<10ms	
RFI>3V/m / EFT>1KV / ESD>4KV (contact)	
IEC 60947-5-2,Part 7.4.1 / IEC 60947-5-2,Part 7.4.2	
POM	

FCM1-1202N-ARU4	33	FCM2-1204N-ARU4
FCM1-1202N-BRU4	34	FCM2-1204N-BRU4
FCM1-1202P-ARU4	35	FCM2-1204P-ARU4
FCM1-1202P-BRU4	36	FCM2-1204P-BRU4
FCM1-1202P-SRU4	38	FCM2-1204P-SRU4
FCM1-1202N-SRU4	37	FCM2-1204N-SRU4
FCM1-1202C-ARU4	40	FCM2-1204C-ARU4
FCM1-1202C-BRU4	78	FCM2-1204C-BRU4
HCM1-1202N-ARU4	33	HCM2-1204N-ARU4
HCM1-1202N-BRU4	34	HCM2-1204N-BRU4
HCM1-1202P-ARU4	35	HCM2-1204P-ARU4
HCM1-1202P-BRU4	36	HCM2-1204P-BRU4
ICM1-1202N-ARU4	33	ICM2-1204N-ARU4
ICM1-1202N-BRU4	34	ICM2-1204N-BRU4
ICM1-1202P-ARU4	35	ICM2-1204P-ARU4
ICM1-1202P-BRU4	36	ICM2-1204P-BRU4
ICM1-1202P-SRU4	38	ICM2-1204P-SRU4
ICM1-1202N-SRU4	37	ICM2-1204N-SRU4

Approx.31 g		Approx.30 g	
-------------	--	-------------	--

Please see Page 18 for details and specifications of DC 2-Wire models on this page.

M 12	
●	○
2 mm	4 mm
stainless steel or nickel plated brass	
●	



10-30VDC or 5-36VDC or 10-55VDC	
<10%	
<10mA	<20mA
200mA	
<0.01mA	
-	
-	
<1.5V or <1.0V or <2.0V	
2KHZ	1KHZ
0.1ms/0.1ms	0.2ms/0.2ms
<15%(Sr)	
<1.0%(Sr)	
IP67	
-25 °C - +70 °C	
<10%(Sr)	
YES	
220mA	
<10ms	
RFI>3V/m / EFT>1KV / ESD>4KV (contact)	
IEC 60947-5-2,Part 7.4.1 / IEC 60947-5-2,Part 7.4.2	
POM	

FCM1-1202N-ACU3Y	33	FCM2-1204N-ACU3Y
FCM1-1202N-BCU3Y	34	FCM2-1204N-BCU3Y
FCM1-1202P-ACU3Y	35	FCM2-1204P-ACU3Y
FCM1-1202P-BCU3Y	36	FCM2-1204P-BCU3Y
FCM1-1202P-SCU4Y	38	FCM2-1204P-SCU4Y
FCM1-1202N-SCU4Y	37	FCM2-1204N-SCU4Y
FCM1-1202C-ACU3Y	40	FCM2-1204C-ACU3Y
FCM1-1202C-BCU3Y	78	FCM2-1204C-BCU3Y
HCM1-1202N-ACU3Y	33	HCM2-1204N-ACU3Y
HCM1-1202N-BCU3Y	34	HCM2-1204N-BCU3Y
HCM1-1202P-ACU3Y	35	HCM2-1204P-ACU3Y
HCM1-1202P-BCU3Y	36	HCM2-1204P-BCU3Y
ICM1-1202N-ACU3Y	33	ICM2-1204N-ACU3Y
ICM1-1202N-BCU3Y	34	ICM2-1204N-BCU3Y
ICM1-1202P-ACU3Y	35	ICM2-1204P-ACU3Y
ICM1-1202P-BCU3Y	36	ICM2-1204P-BCU3Y
ICM1-1202P-SCU4Y	38	ICM2-1204P-SCU4Y
ICM1-1202N-SCU4Y	37	ICM2-1204N-SCU4Y

Approx.31 g		Approx.30 g	
-------------	--	-------------	--

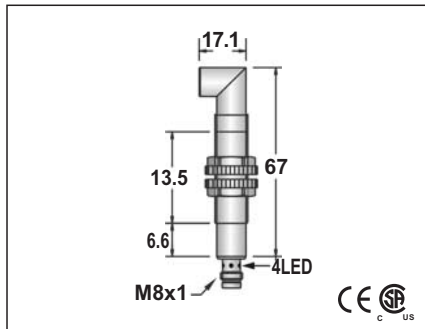
1. Voltage drop:<1.5V(10-30V),<1V(5-36V), <2V(10-55V).
2. 10-55V type: No Load Current < 20mA.

# M12、M18

## DC INDUCTIVE PROXIMITY SWITCH CONNECTOR TYPE

DC INDUCTIVE PROXIMITY SWITCH CONNECTOR TYPE

M 12	
●	○
2 mm	4 mm
stainless steel or nickel plated brass	
●	

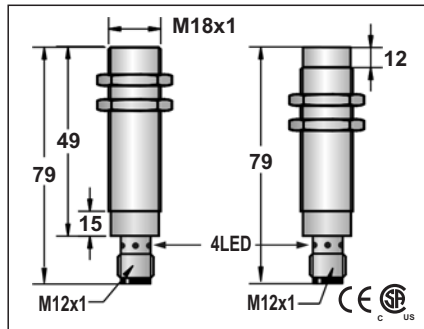


10-30VDC or 5-36VDC or 10-55VDC	
<10%	
<10mA	<20mA
200mA	
<0.01mA	
-	
<1.5V or <1.0V or <2.0V	
2KHZ	1KHZ
0.1ms/0.1ms	0.2ms/0.2ms
<15%(Sr)	
<1.0%(Sr)	
IP67	
-25 °C - +70 °C	
<10%(Sr)	
YES	
220mA	
<10ms	
RFI>3V/m / EFT>1KV / ESD>4KV (contact)	
IEC 60947-5-2, Part 7.4.1 / IEC 60947-5-2, Part 7.4.2	
POM	

FCM1-1202N-ACU3Z	33	FCM2-1204N-ACU3Z
FCM1-1202N-BCU3Z	34	FCM2-1204N-BCU3Z
FCM1-1202P-ACU3Z	35	FCM2-1204P-ACU3Z
FCM1-1202P-BCU3Z	36	FCM2-1204P-BCU3Z
FCM1-1202P-SCU4Z	38	FCM2-1204P-SCU4Z
FCM1-1202N-SCU4Z	37	FCM2-1204N-SCU4Z
FCM1-1202C-ACU3Z	40	FCM2-1204C-ACU3Z
FCM1-1202C-BCU3Z	78	FCM2-1204C-BCU3Z
HCM1-1202N-ACU3Z	33	HCM2-1204N-ACU3Z
HCM1-1202N-BCU3Z	34	HCM2-1204N-BCU3Z
HCM1-1202P-ACU3Z	35	HCM2-1204P-ACU3Z
HCM1-1202P-BCU3Z	36	HCM2-1204P-BCU3Z
ICM1-1202N-ACU3Z	33	ICM2-1204N-ACU3Z
ICM1-1202N-BCU3Z	34	ICM2-1204N-BCU3Z
ICM1-1202P-ACU3Z	35	ICM2-1204P-ACU3Z
ICM1-1202P-BCU3Z	36	ICM2-1204P-BCU3Z
ICM1-1202P-SCU4Z	38	ICM2-1204P-SCU4Z
ICM1-1202N-SCU4Z	37	ICM2-1204N-SCU4Z

Approx.31 g		Approx.30 g	
-------------	--	-------------	--

M 18	
●	○
5 mm	8 mm
stainless steel or nickel plated brass	
●	

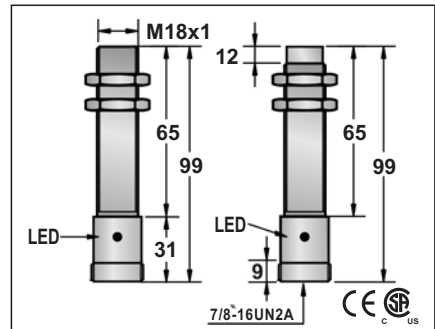


10-30VDC or 5-36VDC or 10-55VDC	
<10%	
<10mA	<20mA
200mA	
<0.01mA	
-	
<1.5V or <1.0V or <2.0V	
1KHZ	500HZ
0.2ms/0.2ms	0.5ms/0.5ms
<15%(Sr)	
<1.0%(Sr)	
IP67	
-25 °C - +70 °C	
<10%(Sr)	
YES	
220mA	
<10ms	
RFI>3V/m / EFT>1KV / ESD>4KV (contact)	
IEC 60947-5-2, Part 7.4.1 / IEC 60947-5-2, Part 7.4.2	
PBT	

FCM1-1805N-ARU4	33	FCM2-1808N-ARU4
FCM1-1805N-BRU4	34	FCM2-1808N-BRU4
FCM1-1805P-ARU4	35	FCM2-1808P-ARU4
FCM1-1805P-BRU4	36	FCM2-1808P-BRU4
FCM1-1805P-SRU4	38	FCM2-1808P-SRU4
FCM1-1805N-SRU4	37	FCM2-1808N-SRU4
FCM1-1805C-ARU4	40	FCM2-1808C-ARU4
FCM1-1805C-BRU4	78	FCM2-1808C-BRU4
HCM1-1805N-ARU4	33	HCM2-1808N-ARU4
HCM1-1805N-BRU4	34	HCM2-1808N-BRU4
HCM1-1805P-ARU4	35	HCM2-1808P-ARU4
HCM1-1805P-BRU4	36	HCM2-1808P-BRU4
ICM1-1805N-ARU4	33	ICM2-1808N-ARU4
ICM1-1805N-BRU4	34	ICM2-1808N-BRU4
ICM1-1805P-ARU4	35	ICM2-1808P-ARU4
ICM1-1805P-BRU4	36	ICM2-1808P-BRU4
ICM1-1805P-SRU4	38	ICM2-1808P-SRU4
ICM1-1805N-SRU4	37	ICM2-1808N-SRU4

Approx.94 g		Approx.91 g	
-------------	--	-------------	--

M 18	
●	○
5 mm	8 mm
stainless steel or nickel plated brass	
●	



10-30VDC or 5-36VDC or 10-55VDC	
<10%	
<10mA	<20mA
200mA	
<0.01mA	
-	
<1.5V or <1.0V or <2.0V	
1KHZ	500HZ
0.2ms/0.2ms	0.5ms/0.5ms
<15%(Sr)	
<1.0%(Sr)	
IP67	
-25 °C - +70 °C	
<10%(Sr)	
YES	
220mA	
<10ms	
RFI>3V/m / EFT>1KV / ESD>4KV (contact)	
IEC 60947-5-2, Part 7.4.1 / IEC 60947-5-2, Part 7.4.2	
PBT	

FCM1-1805N-AZU4	41	FCM2-1808N-AZU4
FCM1-1805N-BZU4	42	FCM2-1808N-BZU4
FCM1-1805P-AZU4	43	FCM2-1808P-AZU4
FCM1-1805P-BZU4	44	FCM2-1808P-BZU4
FCM1-1805P-SZU4	46	FCM2-1808P-SZU4
FCM1-1805N-SZU4	45	FCM2-1808N-SZU4
FCM1-1805C-AZU4	47	FCM2-1808C-AZU4
FCM1-1805C-BZU4	79	FCM2-1808C-BZU4
HCM1-1805N-AZU4	41	HCM2-1808N-AZU4
HCM1-1805N-BZU4	42	HCM2-1808N-BZU4
HCM1-1805P-AZU4	43	HCM2-1808P-AZU4
HCM1-1805P-BZU4	44	HCM2-1808P-BZU4
ICM1-1805N-AZU4	31	ICM2-1808N-AZU4
ICM1-1805N-BZU4	32	ICM2-1808N-BZU4
ICM1-1805P-AZU4	43	ICM2-1808P-AZU4
ICM1-1805P-BZU4	44	ICM2-1808P-BZU4
ICM1-1805P-SZU4	46	ICM2-1808P-SZU4
ICM1-1805N-SZU4	45	ICM2-1808N-SZU4

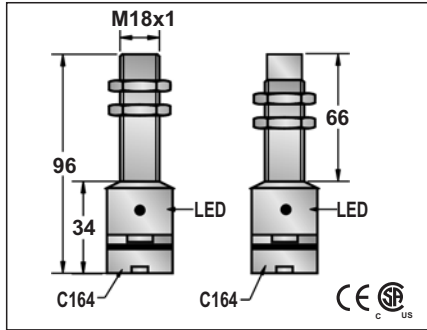
Approx.94 g		Approx.91 g	
-------------	--	-------------	--

Please see Page 18 for details and specifications of DC 2-Wire models on this page.

1. Voltage Drop: <1.5V(10-30V), <1V(5-36V), <2V(10-55V).
2. 10-55V type: No Load Current < 20mA.

## DC INDUCTIVE PROXIMITY SWITCH CONNECTOR TYPE

M 18	
●	○
5 mm	8 mm
stainless steel or nickel plated brass	
●	



10-30VDC or 5-36VDC or 10-55VDC	
<10%	
<10mA	<20mA
200mA	
<0.01mA	
-	
-	
<1.5V or <1.0V or <2.0V	
1KHZ	500HZ
0.2ms/0.2ms	0.5ms/0.5ms
<15%(Sr)	
<1.0%(Sr)	
IP67	
-25 °C - +70 °C	
<10%(Sr)	
YES	
220mA	
<10ms	
RFI>3V/m / EFT>1KV / ESD>4KV (contact)	
IEC 60947-5-2,Part 7.4.1 / IEC 60947-5-2,Part 7.4.2	
PBT	

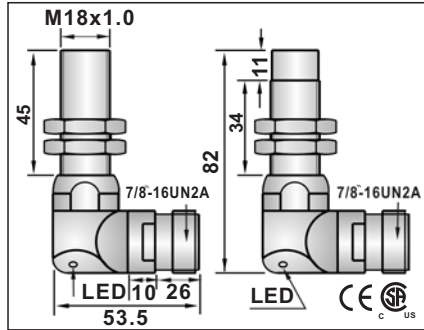
FCM1-1805N-AYU5	49	FCM2-1808N-AYU5
FCM1-1805N-BYU5	50	FCM2-1808N-BYU5
FCM1-1805P-AYU5	51	FCM2-1808P-AYU5
FCM1-1805P-BYU5	52	FCM2-1808P-BYU5
FCM1-1805P-SYU5	54	FCM2-1808P-SYU5
FCM1-1805N-SYU5	53	FCM2-1808N-SYU5
FCM1-1805C-AYU5	48	FCM2-1808C-AYU5
FCM1-1805C-BYU5	80	FCM2-1808C-BYU5
HCM1-1805N-AYU5	49	HCM2-1808N-AYU5
HCM1-1805N-BYU5	50	HCM2-1808N-BYU5
HCM1-1805P-AYU5	51	HCM2-1808P-AYU5
HCM1-1805P-BYU5	52	HCM2-1808P-BYU5
ICM1-1805N-AYU5	49	ICM2-1808N-AYU5
ICM1-1805N-BYU5	50	ICM2-1808N-BYU5
ICM1-1805P-AYU5	51	ICM2-1808P-AYU5
ICM1-1805P-BYU5	52	ICM2-1808P-BYU5
ICM1-1805P-SYU5	54	ICM2-1808P-SYU5
ICM1-1805N-SYU5	53	ICM2-1808N-SYU5

Please see Page 18 for details and specifications of DC 2-Wire models on this page.

Approx.159 g	Approx.155 g
--------------	--------------

Note:  
Coming Soon : Part numbers with underline

M 18	
●	○
5 mm	8 mm
stainless steel or nickel plated brass	
●	



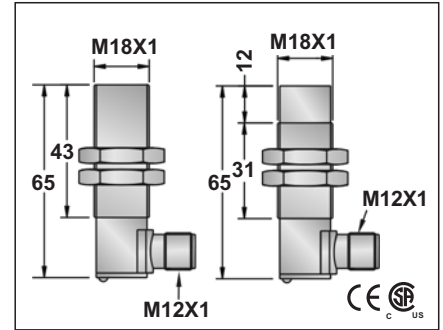
10-30VDC or 5-36VDC or 10-55VDC	
<10%	
<10mA	<20mA
200mA	
<0.01mA	
-	
-	
<1.5V or <1.0V or <2.0V	
1KHZ	500HZ
0.2ms/0.2ms	0.5ms/0.5ms
<15%(Sr)	
<1.0%(Sr)	
IP67	
-25 °C - +70 °C	
<10%(Sr)	
YES	
220mA	
<10ms	
RFI>3V/m / EFT>1KV / ESD>4KV (contact)	
IEC 60947-5-2,Part 7.4.1 / IEC 60947-5-2,Part 7.4.2	
PBT	

FCM1-1805N-AZU4Y	33	FCM2-1808N-AZU4Y
FCM1-1805N-BZU4Y	34	FCM2-1808N-BZU4Y
FCM1-1805P-AZU4Y	35	FCM2-1808P-AZU4Y
FCM1-1805P-BZU4Y	36	FCM2-1808P-BZU4Y
FCM1-1805P-SZU4Y	38	FCM2-1808P-SZU4Y
FCM1-1805N-SZU4Y	37	FCM2-1808N-SZU4Y
FCM1-1805C-AZU4Y	40	FCM2-1808C-AZU4Y
FCM1-1805C-BZU4Y	78	FCM2-1808C-BZU4Y
HCM1-1805N-AZU4Y	33	HCM2-1808N-AZU4Y
HCM1-1805N-BZU4Y	34	HCM2-1808N-BZU4Y
HCM1-1805P-AZU4Y	35	HCM2-1808P-AZU4Y
HCM1-1805P-BZU4Y	36	HCM2-1808P-BZU4Y
ICM1-1805N-AZU4Y	33	ICM2-1808N-AZU4Y
ICM1-1805N-BZU4Y	34	ICM2-1808N-BZU4Y
ICM1-1805P-AZU4Y	35	ICM2-1808P-AZU4Y
ICM1-1805P-BZU4Y	36	ICM2-1808P-BZU4Y
ICM1-1805P-SZU4Y	38	ICM2-1808P-SZU4Y
ICM1-1805N-SZU4Y	37	ICM2-1808N-SZU4Y

FCM\*.\*\*\*\*.\*Z\*\*Y  
Z = 7/8-16UN2A  
R = M12x1

Approx.251 g	Approx.283 g
--------------	--------------

M 18	
●	○
5 mm	8 mm
stainless steel or nickel plated brass	
●	



10-30VDC or 5-36VDC or 10-55VDC	
<10%	
<10mA	<20mA
200mA	
<0.01mA	
-	
-	
<1.5V or <1.0V or <2.0V	
1KHZ	500HZ
0.2ms/0.2ms	0.5ms/0.5ms
<15%(Sr)	
<1.0%(Sr)	
IP67	
-25 °C - +70 °C	
<10%(Sr)	
YES	
220mA	
<10ms	
RFI>3V/m / EFT>1KV / ESD>4KV (contact)	
IEC 60947-5-2,Part 7.4.1 / IEC 60947-5-2,Part 7.4.2	
PBT	

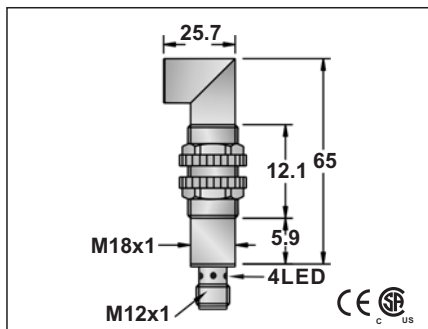
FCM1-1805N-ARU4Y	33	FCM2-1808N-ARU4Y
FCM1-1805N-BRU4Y	34	FCM2-1808N-BRU4Y
FCM1-1805P-ARU4Y	35	FCM2-1808P-ARU4Y
FCM1-1805P-BRU4Y	36	FCM2-1808P-BRU4Y
FCM1-1805P-SRU4Y	38	FCM2-1808P-SRU4Y
FCM1-1805N-SRU4Y	37	FCM2-1808N-SRU4Y
FCM1-1805C-ARU4Y	40	FCM2-1808C-ARU4Y
FCM1-1805C-BRU4Y	78	FCM2-1808C-BRU4Y
HCM1-1805N-ARU4Y	33	HCM2-1808N-ARU4Y
HCM1-1805N-BRU4Y	34	HCM2-1808N-BRU4Y
HCM1-1805P-ARU4Y	35	HCM2-1808P-ARU4Y
HCM1-1805P-BRU4Y	36	HCM2-1808P-BRU4Y
ICM1-1805N-ARU4Y	33	ICM2-1808N-ARU4Y
ICM1-1805N-BRU4Y	34	ICM2-1808N-BRU4Y
ICM1-1805P-ARU4Y	35	ICM2-1808P-ARU4Y
ICM1-1805P-BRU4Y	36	ICM2-1808P-BRU4Y
ICM1-1805P-SRU4Y	38	ICM2-1808P-SRU4Y
ICM1-1805N-SRU4Y	37	ICM2-1808N-SRU4Y

1. Voltage Drop:<1.5V(10-30V),<1V(5-36V), <2V(10-55V).
2. 10-55V type: no load current < 20mA.

Approx.94 g	Approx.91 g
-------------	-------------

## DC INDUCTIVE PROXIMITY SWITCH CONNECTOR TYPE

M 18	
●	○
5 mm	8 mm
stainless steel or nickel plated brass	
●	

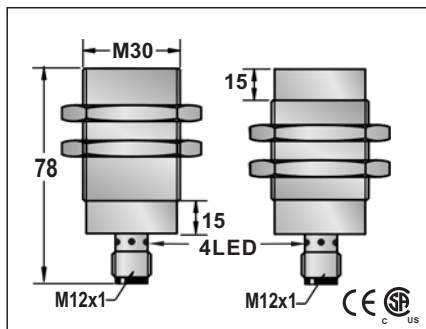


10-30VDC or 5-36VDC or 10-55VDC	
<10%	
<10mA	<20mA
200mA	
<0.01mA	
-	
-	
<1.5V or <1.0V or <2.0V	
1KHZ	500HZ
0.2ms/0.2ms	0.5ms/0.5ms
<15%(Sr)	
<1.0%(Sr)	
IP67	
-25°C - +70°C	
<10%(Sr)	
YES	
220mA	
<10ms	
RFI>3V/m / EFT>1KV / ESD>4KV (contact)	
IEC 60947-5-2,Part 7.4.1 / IEC 60947-5-2,Part 7.4.2	
PBT	

FCM1-1805N-ARU4Z	33	FCM2-1808N-ARU4Z
FCM1-1805N-BRU4Z	34	FCM2-1808N-BRU4Z
FCM1-1805P-ARU4Z	35	FCM2-1808P-ARU4Z
FCM1-1805P-BRU4Z	36	FCM2-1808P-BRU4Z
FCM1-1805P-SRU4Z	38	FCM2-1808P-SRU4Z
FCM1-1805N-SRU4Z	37	FCM2-1808N-SRU4Z
FCM1-1805C-ARU4Z	40	FCM2-1808C-ARU4Z
FCM1-1805C-BRU4Z	78	FCM2-1808C-BRU4Z
HCM1-1805N-ARU4Z	33	HCM2-1808N-ARU4Z
HCM1-1805N-BRU4Z	34	HCM2-1808N-BRU4Z
HCM1-1805P-ARU4Z	35	HCM2-1808P-ARU4Z
HCM1-1805P-BRU4Z	36	HCM2-1808P-BRU4Z
ICM1-1805N-ARU4Z	33	ICM2-1808N-ARU4Z
ICM1-1805N-BRU4Z	34	ICM2-1808N-BRU4Z
ICM1-1805P-ARU4Z	35	ICM2-1808P-ARU4Z
ICM1-1805P-BRU4Z	36	ICM2-1808P-BRU4Z
ICM1-1805P-SRU4Z	38	ICM2-1808P-SRU4Z
ICM1-1805N-SRU4Z	37	ICM2-1808N-SRU4Z

Approx.94 g		Approx.91 g	
-------------	--	-------------	--

M 30	
●	○
10 mm	15 mm
stainless steel or nickel plated brass	
●	



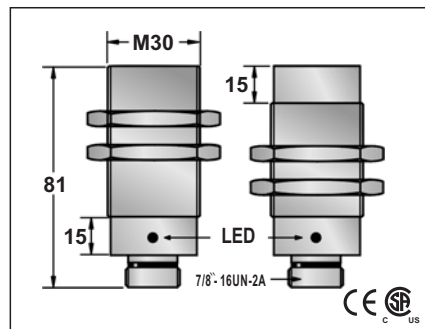
10-30VDC or 5-36VDC or 10-55VDC	
<10%	
<10mA	<20mA
200mA	
<0.01mA	
-	
-	
<1.5V or <1.0V or <2.0V	
300HZ	150HZ
0.5ms/0.5ms	1ms/1ms
<15%(Sr)	
<1.0%(Sr)	
IP67	
-25°C - +70°C	
<10%(Sr)	
YES	
220mA	
<10ms	
RFI>3V/m / EFT>1KV / ESD>4KV (contact)	
IEC 60947-5-2,Part 7.4.1 / IEC 60947-5-2,Part 7.4.2	
PBT	

FCM1-3010N-ARU4	33	FCM2-3015N-ARU4
FCM1-3010N-BRU4	34	FCM2-3015N-BRU4
FCM1-3010P-ARU4	35	FCM2-3015P-ARU4
FCM1-3010P-BRU4	36	FCM2-3015P-BRU4
FCM1-3010P-SRU4	38	FCM2-3015P-SRU4
FCM1-3010N-SRU4	37	FCM2-3015N-SRU4
FCM1-3010C-ARU4	40	FCM2-3015C-ARU4
FCM1-3010C-BRU4	78	FCM2-3015C-BRU4
HCM1-3010N-ARU4	33	HCM2-3015N-ARU4
HCM1-3010N-BRU4	34	HCM2-3015N-BRU4
HCM1-3010P-ARU4	35	HCM2-3015P-ARU4
HCM1-3010P-BRU4	36	HCM2-3015P-BRU4
ICM1-3010N-ARU4	33	ICM2-3015N-ARU4
ICM1-3010N-BRU4	34	ICM2-3015N-BRU4
ICM1-3010P-ARU4	35	ICM2-3015P-ARU4
ICM1-3010P-BRU4	36	ICM2-3015P-BRU4
ICM1-3010P-SRU4	38	ICM2-3015P-SRU4
ICM1-3010N-SRU4	37	ICM2-3015N-SRU4

Approx.187 g		Approx.179 g	
--------------	--	--------------	--

Please see Page 18 for details and specifications of DC 2-Wire models on this page.

M 30	
●	○
10 mm	15 mm
stainless steel or nickel plated brass	
●	



10-30VDC or 5-36VDC or 10-55VDC	
<10%	
<10mA	<20mA
200mA	
<0.01mA	
-	
-	
<1.5V or <1.0V or <2.0V	
0.5ms/0.5ms	1ms/1ms
300HZ	150HZ
<15%(Sr)	
<1.0%(Sr)	
IP67	
-25°C - +70°C	
<10%(Sr)	
YES	
220mA	
<10ms	
RFI>3V/m / EFT>1KV / ESD>4KV (contact)	
IEC 60947-5-2,Part 7.4.1 / IEC 60947-5-2,Part 7.4.2	
PBT	

FCM1-3010N-AZU4	41	FCM2-3015N-AZU4
FCM1-3010N-BZU4	42	FCM2-3015N-BZU4
FCM1-3010P-AZU4	43	FCM2-3015P-AZU4
FCM1-3010P-BZU4	44	FCM2-3015P-BZU4
FCM1-3010P-SZU4	46	FCM2-3015P-SZU4
FCM1-3010N-SZU4	45	FCM2-3015N-SZU4
FCM1-3010C-AZU4	47	FCM2-3015C-AZU4
FCM1-3010C-BZU4	79	FCM2-3015C-BZU4
HCM1-3010N-AZU4	41	HCM2-3015N-AZU4
HCM1-3010N-BZU4	42	HCM2-3015N-BZU4
HCM1-3010P-AZU4	43	HCM2-3015P-AZU4
HCM1-3010P-BZU4	44	HCM2-3015P-BZU4
ICM1-3010N-AZU4	41	ICM2-3015N-AZU4
ICM1-3010N-BZU4	42	ICM2-3015N-BZU4
ICM1-3010P-AZU4	43	ICM2-3015P-AZU4
ICM1-3010P-BZU4	44	ICM2-3015P-BZU4
ICM1-3010P-SZU4	46	ICM2-3015P-SZU4
ICM1-3010N-SZU4	45	ICM2-3015N-SZU4

Approx.187 g		Approx.179 g	
--------------	--	--------------	--

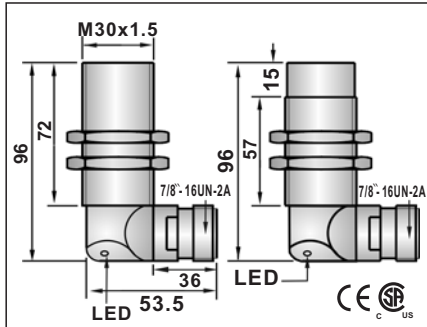
1. Voltage Drop:<1.5V(10-30V),<1V(5-36V), <2V(10-55V).
2. 10-55V type: no load current < 20mA.

# M30、Q25x50x10

## DC INDUCTIVE PROXIMITY SWITCH CONNECTOR TYPE

DC INDUCTIVE PROXIMITY SWITCH CONNECTOR TYPE

M 30	
●	○
10 mm	15 mm
stainless steel or nickel plated brass	
●	



10-30VDC or 5-36VDC or 10-55VDC	
<10%	
<10mA	<20mA
200mA	
<0.01mA	
-	
<1.5V or <1.0V or <2.0V	
0.5ms/0.5ms	1ms/1ms
300HZ	150HZ
<15%(Sr)	
<1.0%(Sr)	
IP67	
-25°C - +70°C	
<10%(Sr)	
YES	
220mA	
<10ms	
RFI>3V/m / EFT>1KV / ESD>4KV (contact)	
IEC 60947-5-2,Part 7.4.1 / IEC 60947-5-2,Part 7.4.2	
PBT	

FCM1-3010N-AZU4Y	41	FCM2-3015N-AZU4Y	41
FCM1-3010N-BZU4Y	42	FCM2-3015N-BZU4Y	42
FCM1-3010P-AZU4Y	43	FCM2-3015P-AZU4Y	43
FCM1-3010P-BZU4Y	44	FCM2-3015P-BZU4Y	44
FCM1-3010P-SZU4Y	46	FCM2-3015P-SZU4Y	46
FCM1-3010N-SZU4Y	45	FCM2-3015N-SZU4Y	45
FCM1-3010C-AZU4Y	47	FCM2-3015C-AZU4Y	47
FCM1-3010C-BZU4Y	79	FCM2-3015C-BZU4Y	79
HCM1-3010N-AZU4Y	41	HCM2-3015N-AZU4Y	41
HCM1-3010N-BZU4Y	42	HCM2-3015N-BZU4Y	42
HCM1-3010P-AZU4Y	43	HCM2-3015P-AZU4Y	43
HCM1-3010P-BZU4Y	44	HCM2-3015P-BZU4Y	44
ICM1-3010N-AZU4Y	41	ICM2-3015N-AZU4Y	41
ICM1-3010N-BZU4Y	42	ICM2-3015N-BZU4Y	42
ICM1-3010P-AZU4Y	43	ICM2-3015P-AZU4Y	43
ICM1-3010P-BZU4Y	44	ICM2-3015P-BZU4Y	44
ICM1-3010P-SZU4Y	46	ICM2-3015P-SZU4Y	46
ICM1-3010N-SZU4Y	45	ICM2-3015N-SZU4Y	45

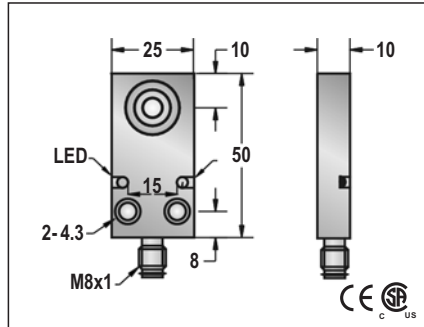
1. voltage drop:<1.5V(10-30V),<1V(5-36V), <2V(10-55V).
2. 10-55V type: No Load Current <20mA.

Approx.311 g	Approx.356 g
--------------	--------------

Note:

Coming Soon : Part numbers with underline

Q25x50x10	
●	
5 mm	
die-cast	
●	



10-30VDC or 5-36VDC or 10-55VDC	
<10%	
<10mA	<20mA
200mA	
<0.01mA	
-	
<1.5V or <1.0V or <2.0V	
1KHZ	
0.2ms/0.2ms	
<15%(Sr)	
<1.0%(Sr)	
IP67	
-25°C - +70°C	
<10%(Sr)	
YES	
220mA	
<10ms	
RFI>3V/m / EFT>1KV / ESD>4KV (contact)	
IEC 60947-5-2,Part 7.4.1 / IEC 60947-5-2,Part 7.4.2	
POM	

FQM1-2505N-ACU3T	29
FQM1-2505N-BCU3T	29
FQM1-2505P-ACU3T	30
FQM1-2505P-BCU3T	30
FQM1-2505P-SCU4T	32
FQM1-2505N-SCU4T	31
FQM1-2505C-ACU3T	39
FQM1-2505C-BCU3T	77
HQM1-2505N-ACU3T	29
HQM1-2505N-BCU3T	29
HQM1-2505P-ACU3T	30
HQM1-2505P-BCU3T	30
IQM1-2505N-ACU3T	29
IQM1-2505N-BCU3T	29
IQM1-2505P-ACU3T	30
IQM1-2505P-BCU3T	30
IQM1-2505P-SCU4T	32
IQM1-2505N-SCU4T	31

Please see Page 18 for details and specifications of DC 2-Wire models on this page.

Approx.61 g
-------------