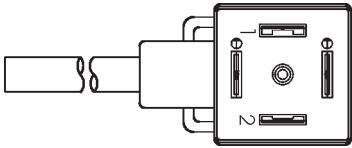
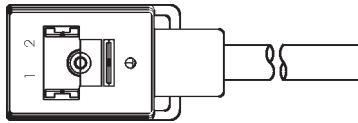


VALVE-CONNECTOR INDEX



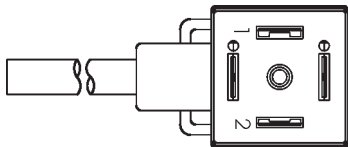
Page:103

Valve Connector with LED



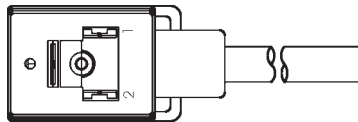
Page:109

Valve Connector with LED



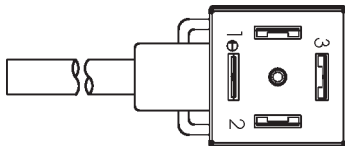
Page:104

Valve Connector with LED



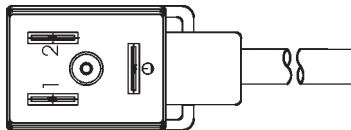
Page:110

Valve Connector with LED Cable Exit 180 °



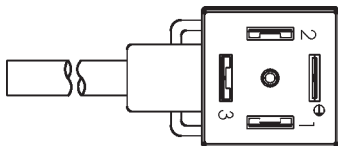
Page:105

Valve Connector with 2 Color LEDs



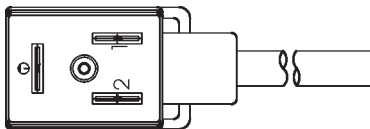
Page:111

Valve Connector with LED



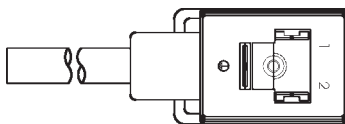
Page:106

Valve Connector with 2 Color LEDs Cable exit 180 °



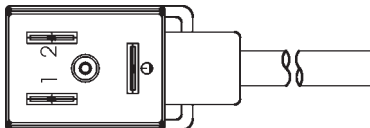
Page:112

Valve Connector with LED



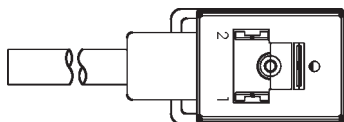
Page:107

Valve Connector with LED



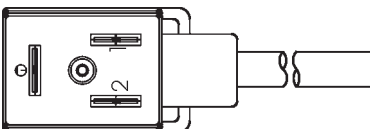
Page:113

Valve Connector with LED Cable Exit 0 °



Page:108

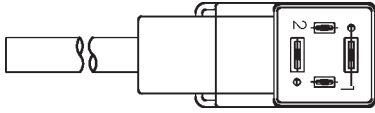
Valve Connector with LED



Page:114

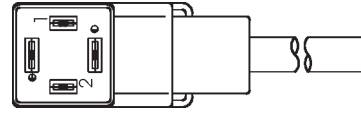
Valve Connector with LED Cable Exit 180 °

VALVE-CONNECTOR INDEX



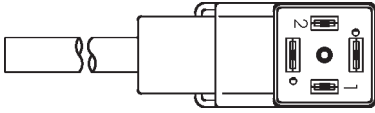
Valve Connector with LED

Page:115



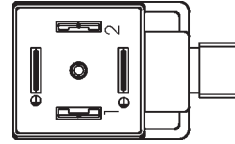
Valve Connector 2+PE without circuitry

Page:123



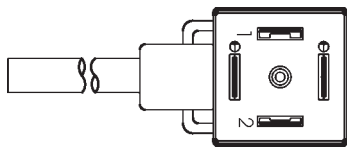
Valve Connector with LED

Page:116



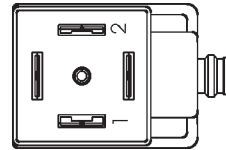
Valve Connector with M12 male receptacle connector

Page:124



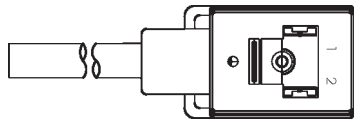
Valve Connector 2+PE without circuitry

Page:117



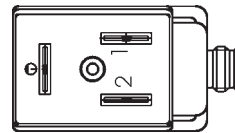
Valve Connector with M8 male receptacle connector

Page:125



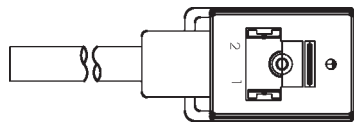
Valve Connector 2+PE without circuitry

Page:118



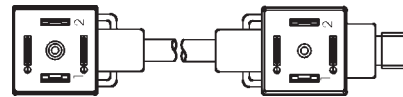
Valve Connector with M8 male receptacle connector

Page:126



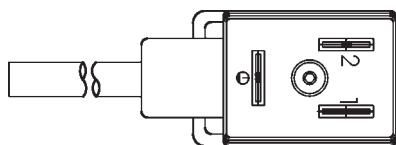
Valve Connector without circuitry

Page:119



Valve Connector with a extra M12 Connector & LED

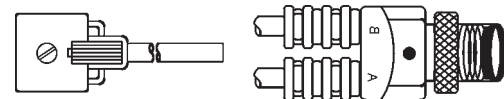
Page:127



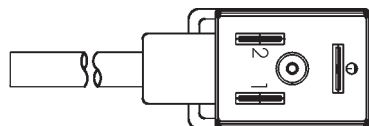
Valve Connector 2+PE without circuitry

Page:120

Page:128-131

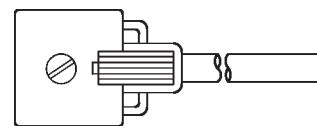


Valve Connector and splitter



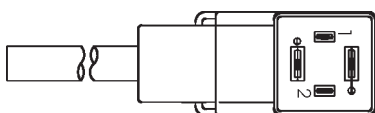
Valve Connector 2+PE without circuitry Cable Exit 180°

Page:121



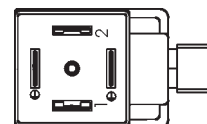
Valve Connector with recovery diode

Page:132



Valve Connector 2+PE without circuitry

Page:122



Valve Connector with M12 male receptacle connector

Page:133

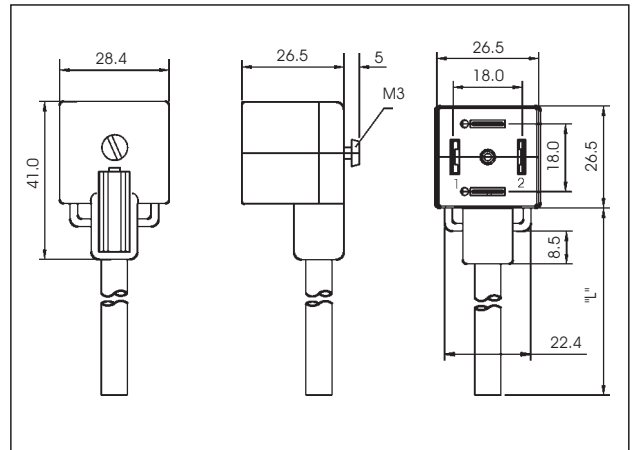
VALVE-CONNECTORS, IP67

View



- Valve connector according to DIN EN 175301-803
- Form A
- With built-in LED and varistor voltage protection
- Connected protective earth

Dimensional data



Technical Data

Operating temperature range : -25 °C /+80 °C

Housing/molded body : TPU, self-extinguishing

Degree of protection : IP 67

Contact : CuZn, nickel-plated and tin-plated

Contact Resistance : $\leq 5m\Omega$

Nominal current at 40 °C : 4A

Nominal Voltage : 24V

Rated Voltage : 32V

Pollution degree : 3

Catalog Number

Part-No	Poles	Face View female	Color Code	Conductors		Outer Jacket		Circuit Protection
				Guage	Stranding	ϕ mm	Material	
V-FANAVY052	2+ 		1 = brown 2 = blue = green / yellow	0.50mm ²	16 x ϕ 0.20	5.5	PUR/PVC	
V-FANAVV552				0.50mm ²	16 x ϕ 0.20	5.0	PVC irradiated	

"L"-Standard length:2.0m,3.0m,5.0m,10.0m. other cable length or cable specifications on request.

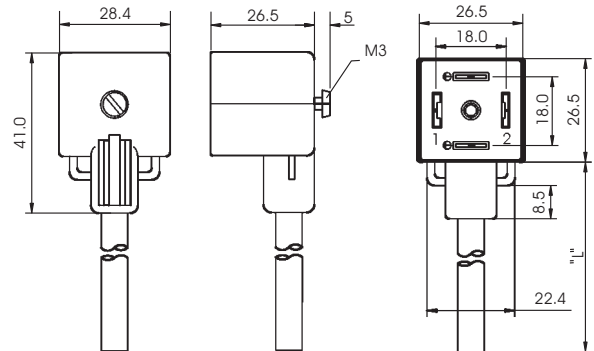
VALVE-CONNECTORS, IP67

View



- Valve connector according to DIN EN 175301-803
- Form A
- With built-in LED and suppressor diode voltage protection
- Connected protective earth

Dimensional data



Technical Data

Operating temperature : -25 °C / +80 °C
 Housing/Molded body : TPU, self-extinguishing
 Degree of Protection : IP 67
 Contact : CuZn, nickel-plated and tin-plated

Contact Resistance : $\leq 5m\Omega$
 Nominal current at 40 °C : 4A
 Nominal Voltage : 24V
 Rated Voltage : 32V
 Pollution degree : 3

Catalog Number

Part-No	Poles	Face View female	Color Code	Conductors		Outer Jacket		Circuit Protection
				Guage	Stranding	ϕ mm	Material	
V-FANASY052	2+ 		1 = brown 2 = blue = green / yellow	0.50mm ²	16x ϕ 0.20	5.5	PUR/PVC	
V-FANASV552				0.50mm ²	16x ϕ 0.20	5.0	PVC irradiated	

"L"=Standard length:2.0m,3.0m,5.0m,10.0m. other cable length or cable specifications on request.

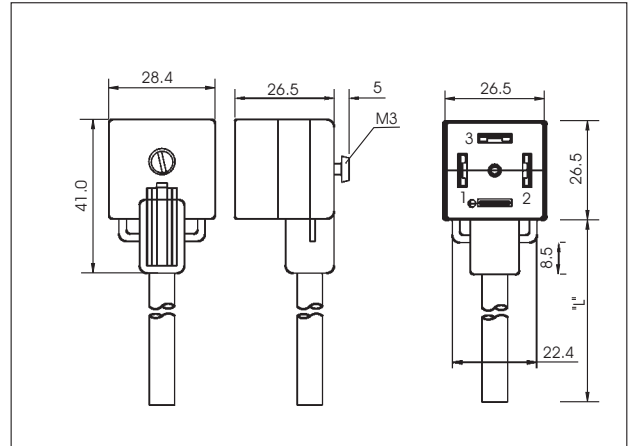
VALVE-CONNECTORS, IP67

View



- Connector for pressure switches
- According to DIN EN 175301-803, form A
- With LED operation and function indicator

Dimensional data



Technical Data

Operating temperature : -25 °C / +80 °C

Housing/Molded body : TPU, self-extinguishing

Degree of Protection : IP 67

Contact : CuZn, nickel-plated and tin-plated

Contact Resistance : $\leq 5m\Omega$

Nominal current at 40 °C : 4A

Nominal Voltage : 24V DC

Rated Voltage : 32V

Pollution degree : 3

Catalog Number

Part-No	Poles	Face View female	Color Code	Conductors		Outer Jacket		Circuit Protection
				Guage	Stranding	ϕ mm	Material	
V-FAZATU522	3+ 		1 = brown 2 = white 3 = black LED = blue = green / yellow	0.50mm ²	16 x ϕ 0.20	6.0	PUR	
V-FAZATV512				0.50mm ²	16 x ϕ 0.20	6.0	PVC	

"L"=Standard length:2.0m,3.0m,5.0m,10.0m. other cable length or cable specifications on request.

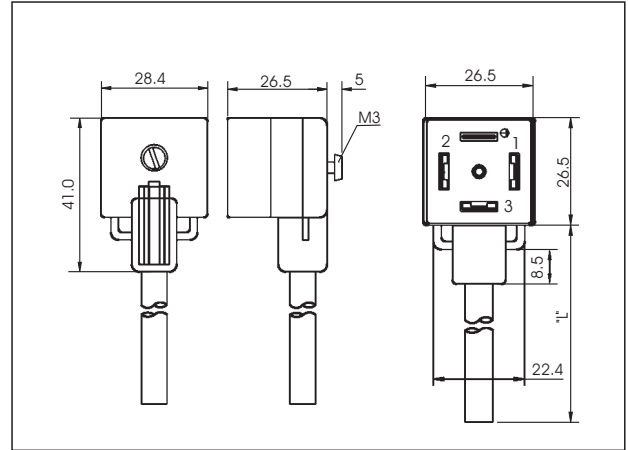
VALVE-CONNECTORS, IP67

View



- Valve connector accorded to DIN EN 175301-803
- Cable exit 180°
- Form A, with LED operation and function indicator
- For pressure switches

Dimensional data



Technical Data

Operating temperature : -25 °C /+80 °C
 Housing/Molded body : TPU, self-extinguishing
 Degree of Protection : IP 67
 Contact : CuZn, nickel-plated and tin-plated

Contact Resistance : $\leq 5m\Omega$
 Nominal current at 40 °C : 4A
 Nominal Voltage : 24V DC
 Rated Voltage : 32V
 Pollution degree : 3

Catalog Number

Part-No	Poles	Face View female	Color Code	Conductors		Outer Jacket		Circuit Protection
				Guage	Stranding	ϕ mm	Material	
V-FAEATU522	3+ 		1 = brown 2 = white 3 = black LED = blue = green / yellow	0.50mm ²	16x ϕ 0.20	6.0	PUR	
V-FAEATV512				0.50mm ²	16x ϕ 0.20	6.0	PVC	

"L"=Standard length:2.0m,3.0m,5.0m,10.0m. other cable length or cable specifications on request.

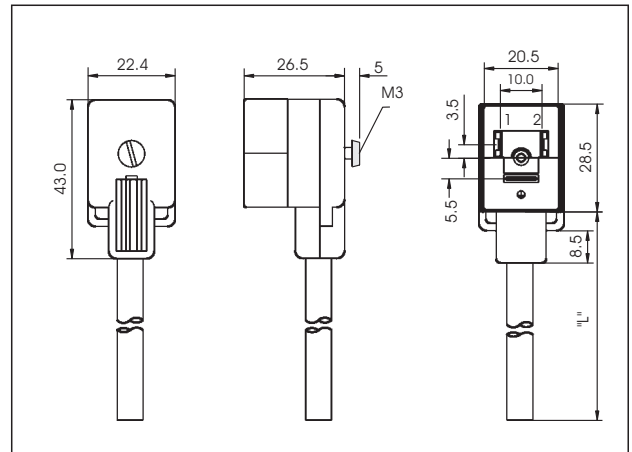
VALVE-CONNECTORS,IP67

View



- Valve connector according to DIN EN175301-803
- Form B
- With built-in LED and varistor voltage protection

Dimensional data



Technical Data

Operating temperature : -25 °C /+80 °C
 Housing/Molded body : TPU, self-extinguishing
 Degree of Protection : IP 67
 Contact : CuZn, nickel-plated and tin-plated

Contact Resistance : $\leq 5m\Omega$
 Nominal current at 40 °C : 4A
 Nominal Voltage : 24V
 Rated Voltage : 32V
 Pollution degree : 3

Catalog Number

Part-No	Poles	Face View female	Color Code	Conductors		Outer Jacket		Circuit Protection
				Guage	Stranding	ϕ mm	Material	
V-FAZBVY052	2+ 		1 = brown 2 = blue = green / yellow	0.50mm ²	16x ϕ 0.20	5.5	PUR/PVC	
V-FAZBVV552				0.50mm ²	16x ϕ 0.20	5.0	PVC irradiated	

"L"=Standard length:2.0m,3.0m,5.0m,10.0m. other cable length or cable specifications on request.

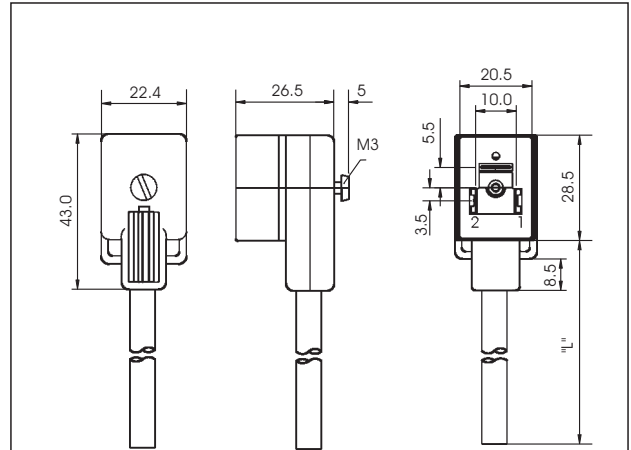
VALVE-CONNECTORS, IP67

View



- Valve connector according to DIN EN175301-803
- Form B
- With built-in LED and varistor voltage protection

Dimensional data



Technical Data

Operating temperature : -25 °C / +80 °C
 Housing/Molded body : TPU, self-extinguishing
 Degree of Protection : IP 67
 Contact : CuZn, nickel-plated and tin-plated

Contact Resistance : $\leq 5m\Omega$
 Nominal current at 40 °C : 4A
 Nominal Voltage : 24V
 Rated Voltage : 32V
 Pollution degree : 3

Catalog Number

Part-No	Poles	Face View female	Color Code	Conductors		Outer Jacket		Circuit Protection
				Guage	Stranding	ϕ mm	Material	
V-FAEBVY052	3+ 		1 = brown 2 = blue = Green / yellow	0.50mm ²	16x ϕ 0.20	5.5	PUR/PVC	
V-FAEBVV552				0.50mm ²	16x ϕ 0.20	5.0	PVC irradiated	

"L"=Standard length:2.0m,3.0m,5.0m,10.0m. other cable length or cable specifications on request.

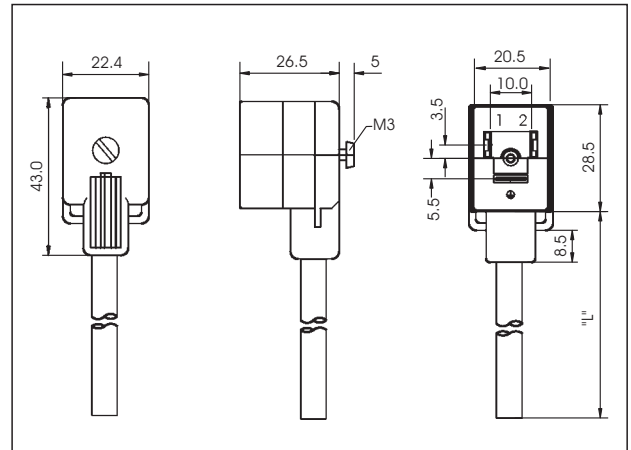
VALVE-CONNECTORS, IP67

View



- Valve connector according to DIN EN 175301-803
- Form B
- With built-in LED and suppressor diode voltage protection

Dimensional data



Technical Data

Operating temperature : -25 °C / +80 °C
 Housing/Molded body : TPU, self-extinguishing
 Degree of Protection : IP 67
 Contact : CuZn, nickel-plated and tin-plated

Contact Resistance : $\leq 5\text{m}\Omega$
 Nominal current at 40 °C : 4A
 Nominal Voltage : 24V
 Rated Voltage : 32V
 Pollution degree : 3

Catalog Number

Part-No	Poles	Face View female	Color Code	Conductors		Outer Jacket		Circuit Protection
				Guage	Stranding	ϕ mm	Material	
V-FAZBSY052	2+ 		1 = brown 2 = blue = green / yellow	0.50mm ²	16 x ϕ 0.20	5.5	PUR/PVC	
V-FAZBSV552				0.50mm ²	16 x ϕ 0.20	5.0	PVC irradiated	

"L"=Standard length:2.0m,3.0m,5.0m,10.0m. other cable length or cable specifications on request.

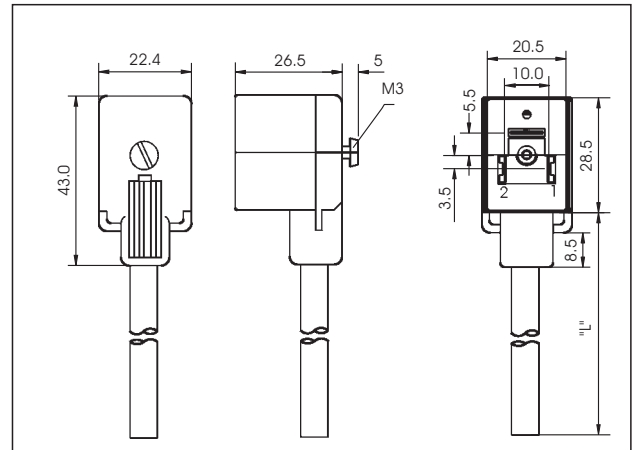
VALVE-CONNECTORS, IP67

View



- Valve connector according to DIN EN 175301-803
- Form B
- Cable exit 180°
- With built-in LED and suppressor diode voltage protection

Dimensional data



Technical Data

Operating temperature : -25 °C /+80 °C
 Housing/Molded body : TPU, self-extinguishing
 Degree of Protection : IP 67
 Contact : CuZn, nickel-plated and tin-plated

Contact Resistance : $\leq 5m\Omega$
 Nominal current at 40 °C : 4A
 Nominal Voltage : 24V
 Rated Voltage : 32V
 Pollution degree : 3

Catalog Number

Part-No	Poles	Face View female	Color Code	Conductors		Outer Jacket		Circuit Protection
				Guage	Stranding	φ mm	Material	
V-FAESY052	2+ 		1 = brown 2 = blue = green / yellow	0.50mm ²	16x φ 0.20	5.5	PUR/PVC	
V-FAESV552				0.50mm ²	16x φ 0.20	5.0	PVC irradiated	

"L"=Standard length:2.0m,3.0m,5.0m,10.0m. other cable length or cable specifications on request.

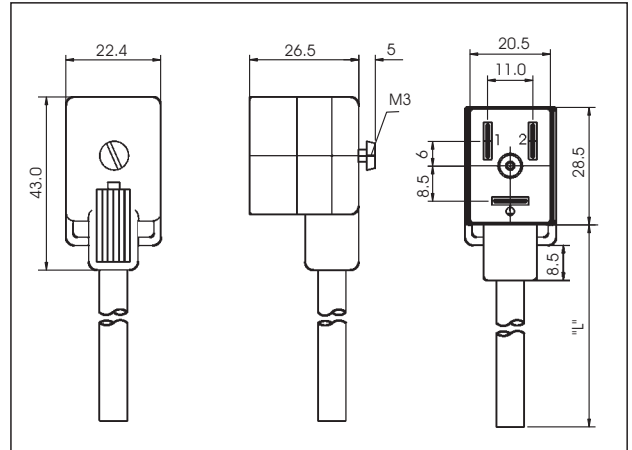
VALVE-CONNECTORS,IP67

View



- Valve connector similar to DIN EN 175301-803
- Industry standard form B
- With built-in LED and varistor voltage protection

Dimensional data



Technical Data

Operating temperature : -25 °C /+80 °C
 Housing/Molded body : TPU, self-extinguishing
 Degree of Protection : IP 67
 Contact : CuZn, nickel-plated and tin-plated

Contact Resistance : $\leq 5m\Omega$
 Nominal current at 40 °C : 4A
 Nominal Voltage : 24V
 Rated Voltage : 32V
 Pollution degree : 3

Catalog Number

Part-No	Poles	Face View female	Color Code	Conductors		Outer Jacket		Circuit Protection
				Guage	Stranding	ϕ mm	Material	
V-FAZDVY052	2+ 		1 = brown 2 = blue = green / yellow	0.50mm ²	16 x ϕ 0.20	5.5	PUR/PVC	
V-FAZDVV552				0.50mm ²	16 x ϕ 0.20	5.0	PVC irradiated	

"L"=Standard length:2.0m,3.0m,5.0m,10.0m. other cable length or cable specifications on request.

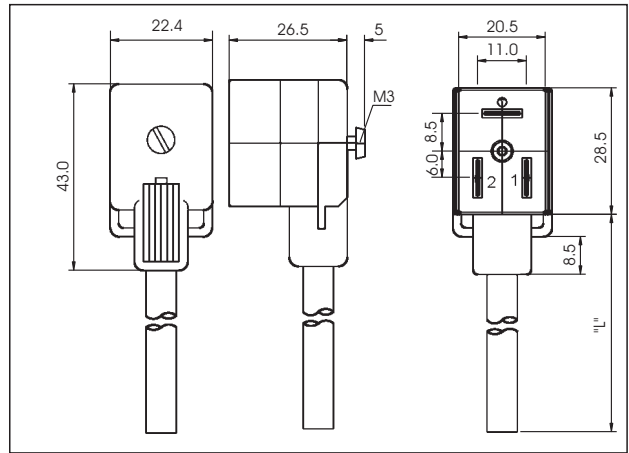
VALVE-CONNECTORS, IP67

View



- Valve connector similar to DIN EN 175301-803
- Industry standard form B
- With built-in LED and varistor voltage protection

Dimensional data



Technical Data

Operating temperature : -25 °C / +80 °C
 Housing/Molded body : TPU, self-extinguishing
 Degree of Protection : IP 67
 Contact : CuZn, nickel-plated and tin-plated

Contact Resistance : $\leq 5m\Omega$
 Nominal current at 40 °C : 4A
 Nominal Voltage : 24V
 Rated Voltage : 32V
 Pollution degree : 3

Catalog Number

Part-No	Poles	Face View female	Color Code	Conductors		Outer Jacket		Circuit Protection
				Guage	Stranding	ϕ mm	Material	
V-FAEDVY052	2+ 		1 = brown 2 = blue = green / yellow	0.50mm ²	16x ϕ 0.20	5.5	PUR/PVC	
V-FAEDVV552				0.50mm ²	16x ϕ 0.20	5.0	PVC irradiated	

"L"=Standard length:2.0m,3.0m,5.0m,10.0m. other cable length or cable specifications on request.

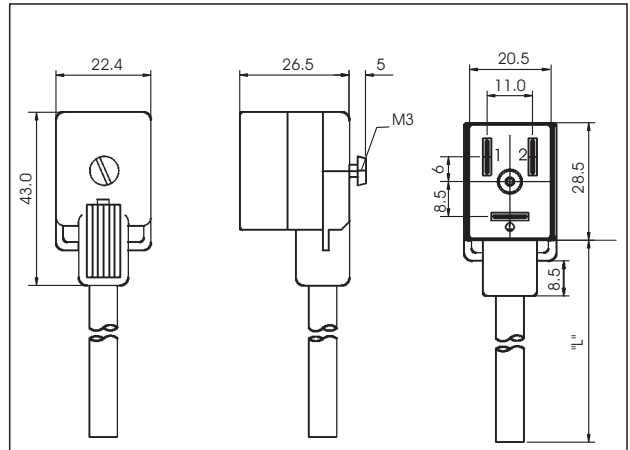
VALVE-CONNECTORS,IP67

View



- Valve connector similar to DIN EN 175301-803
- Form B
- Industry standard construction ,cable exit 0 °
- With built-in LED and suppressor diode voltage protection

Dimensional data



Technical Data

Operating temperature : -25 °C /+80 °C
 Housing/Molded body : TPU, self-extinguishing
 Degree of Protection : IP 67
 Contact : CuZn, nickel-plated and tin-plated

Contact Resistance : $\leq 5m\Omega$
 Nominal current at 40 °C : 4A
 Nominal Voltage : 24V
 Rated Voltage : 32V
 Pollution degree : 3

Catalog Number

Part-No	Poles	Face View female	Color Code	Conductors		Outer Jacket		Circuit Protection
				Guage	Stranding	ϕ mm	Material	
V-FAZDSY052	2+ 		1 = brown 2 = blue = green / yellow	0.50mm ²	16 x ϕ 0.20	5.5	PUR/PVC	
V-FAZDSV552				0.50mm ²	16 x ϕ 0.20	5.0	PVC irradiated	

"L"=Standard length:2.0m,3.0m,5.0m,10.0m. other cable length or cable specifications on request.

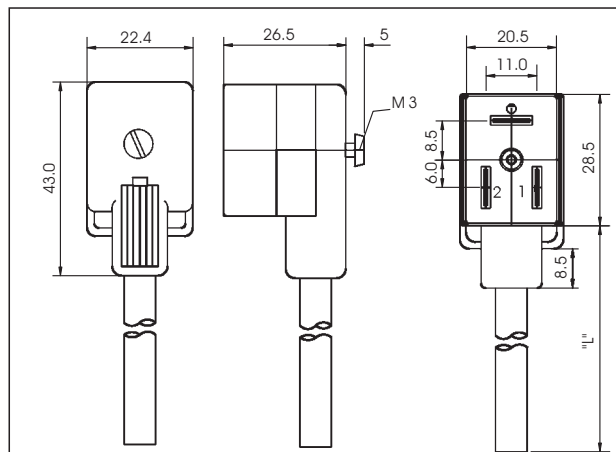
VALVE-CONNECTORS, IP67

View



- Valve connector similar to DIN EN 175301-803
- Form B
- Industry standard construction, cable exit 180 °
- With built-in LED and suppressor diode voltage protection

Dimensional data



Technical Data

Operating temperature : -25 °C /+80 °C

Housing/Molded body : TPU, self-extinguishing

Degree of Protection : IP 67

Contact : CuZn, nickel-plated and tin-plated

Contact Resistance : $\leq 5m\Omega$

Nominal current at 40 °C : 4A

Nominal Voltage : 24V

Rated Voltage : 32V

Pollution degree : 3

Catalog Number

Part-No	Poles	Face View female	Color Code	Conductors		Outer Jacket		Circuit Protection
				Guage	Stranding	ϕ mm	Material	
V-FAEDSY052	2+		1 = brown 2 = blue \oplus = green / yellow	0.50mm ²	16x ϕ 0.20	5.5	PUR/PVC	
V-FAEDSV552				0.50mm ²	16x ϕ 0.20	5.0	PVC irradiated	

"L"=Standard length:2.0m,3.0m,5.0m,10.0m. other cable length or cable specifications on request.

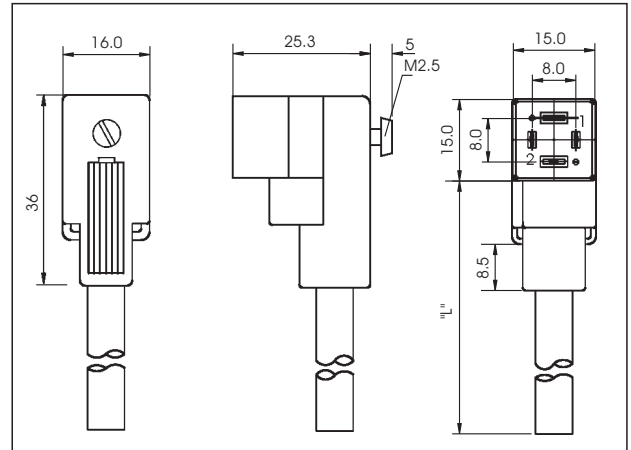
VALVE-CONNECTORS,IP67

View



- Valve connector, accorded to DIN EN 175301-803
- Form C, 8.0mm
- With built-in LED and varistor voltage protection
- Connected protective earth

Dimensional data



Technical Data

Operating temperature : -25 °C / +80 °C
 Housing/Molded body : TPU, self-extinguishing
 Degree of Protection : IP 67
 Contact : CuZn, nickel-plated and tin-plated

Contact Resistance : $\leq 5m\Omega$
 Nominal current at 40 °C : 4A
 Nominal Voltage : 24V
 Rated Voltage : 32V
 Pollution degree : 3

Catalog Number

Part-No	Poles	Face View female	Color Code	Conductors		Outer Jacket		Circuit Protection
				Guage	Stranding	ϕ mm	Material	
V-FANCVY052	2+ 		1 = brown 2 = blue = green / yellow	0.50mm ²	16 x ϕ 0.20	5.5	PUR/PVC	
V-FANCVV552				0.50mm ²	16 x ϕ 0.20	5.0	PVC irradiated	

"L"=Standard length:2.0m,3.0m,5.0m,10.0m. other cable length or cable specifications on request.

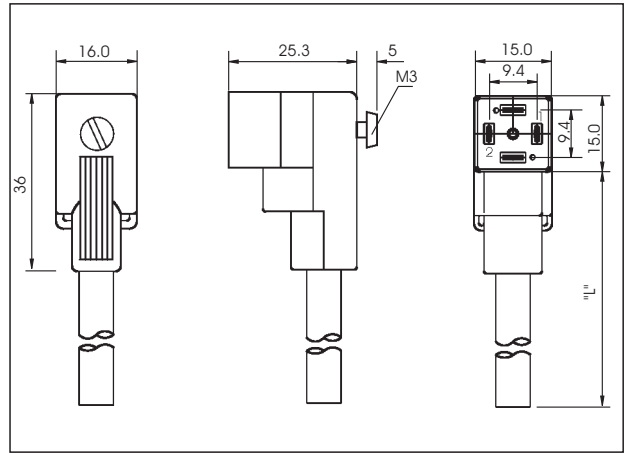
VALVE-CONNECTORS, IP67

View



- Valve connector similar to DIN EN 175301-803
- Industry standard form C, 9.4mm
- With LED function indicator, varistor voltage protection
- Connected protective earth

Dimensional data



Technical Data

Operating temperature : -25 °C /+80 °C
 Housing/Molded body : TPU, self-extinguishing
 Degree of Protection : IP 67
 Contact : CuZn, nickel-plated and tin-plated

Contact Resistance : $\leq 5m\Omega$
 Nominal current at 40 °C : 4A
 Nominal Voltage : 24V
 Rated Voltage : 32V
 Pollution degree : 3

Catalog Number

Part-No	Poles	Face View female	Color Code	Conductors		Outer Jacket		Circuit Protection
				Guage	Stranding	ϕ mm	Material	
V-FANGVY052	2+ 		1 = brown 2 = blue = green / yellow	0.50mm ²	16x ϕ 0.20	5.5	PUR/PVC	
V-FANGVV552				0.50mm ²	16x ϕ 0.20	5.0	PVC irradiated	

"L"=Standard length:2.0m,3.0m,5.0m,10.0m. other cable length or cable specifications on request.

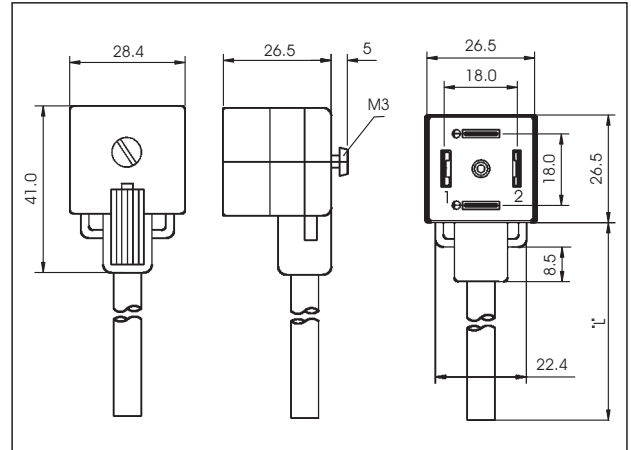
VALVE-CONNECTORS,IP67

View



- Valve connector according to DIN EN 175301-803
- Form A
- Connected protective earth
- Without circuitry

Dimensional data



Technical Data

Operating temperature : -25 °C / +80 °C
 Housing/Molded body : TPU, self-extinguishing
 Degree of Protection : IP 67
 Contact : CuZn, nickel-plated and tin-plated

Contact Resistance : $\leq 5m\Omega$
 Nominal current at 40 °C : 4A
 Nominal Voltage : 240V
 Rated Voltage : 250V
 Pollution degree : 3

Catalog Number

Part-No	Poles	Face View female	Color Code	Conductors		Outer Jacket	
				Guage	Stranding	ϕ mm	Material
V-FANA0V532	2+ 		1 = brown 2 = blue = green / yellow	0.50mm ²	16x ϕ 0.20	5.0	PVC

"L"=Standard length:2.0m,3.0m,5.0m,10.0m. other cable length or cable specifications on request.

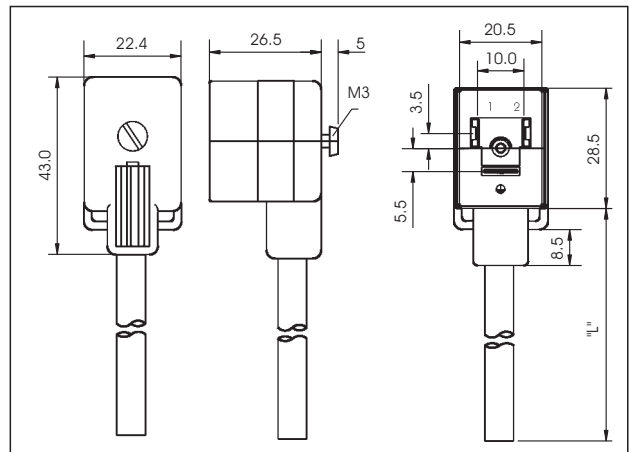
VALVE-CONNECTORS, IP67

View



- Valve connector according to DIN EN 175301-803
- Form B
- Without circuitry
- 2+earth connection

Dimensional data



Technical Data

Operating temperature : -25 °C /+80 °C
 Housing/Molded body : TPU, self-extinguishing
 Degree of Protection : IP 67
 Contact : CuZn, nickel-plated and tin-plated

Contact Resistance : $\leq 5m\Omega$
 Nominal current at 40 °C : 4A
 Nominal Voltage : 240V
 Rated Voltage : 250V
 Pollution degree : 3

Catalog Number

Part-No	Poles	Face View female	Color Code	Conductors		Outer Jacket	
				Guage	Stranding	ϕ mm	Material
V-FAZBOV532	2+ 		1 = brown 2 = blue = green / yellow	0.50mm ²	16x ϕ 0.20	5.0	PVC

"L"=Standard length:2.0m,3.0m,5.0m,10.0m. other cable length or cable specifications on request.

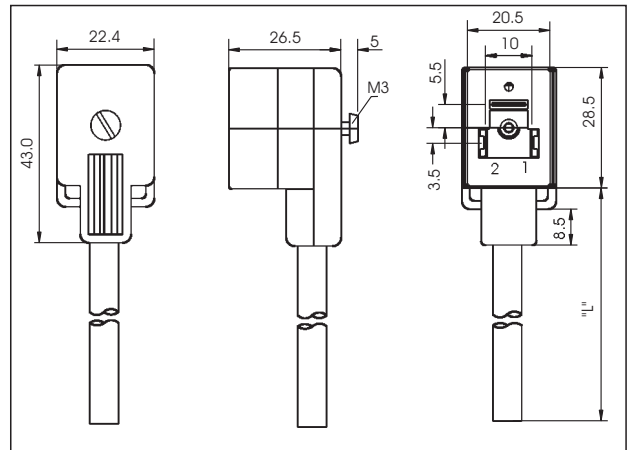
VALVE-CONNECTORS,IP67

View



- Valve connector according to DIN EN 175301-803
- Form B
- Without circuitry, 2+earth connection, cable exit 180 °

Dimensional data



Technical Data

Operating temperature : -25 °C / +80 °C
 Housing/Molded body : TPU, self-extinguishing
 Degree of Protection : IP 67
 Contact : CuZn, nickel-plated and tin-plated

Contact Resistance : $\leq 5m\Omega$
 Nominal current at 40 °C : 4A
 Nominal Voltage : 240V
 Rated Voltage : 250V
 Pollution degree : 3

Catalog Number

Part-No	Poles	Face View female	Color Code	Conductors		Outer Jacket	
				Gauge	Stranding	ϕ mm	Material
V-FAEBOV542	2+ 		1 = brown 2 = blue = green / yellow	0.75mm ²	24 x ϕ 0.20	6.0	PVC

"L"=Standard length:2.0m,3.0m,5.0m,10.0m. other cable length or cable specifications on request.

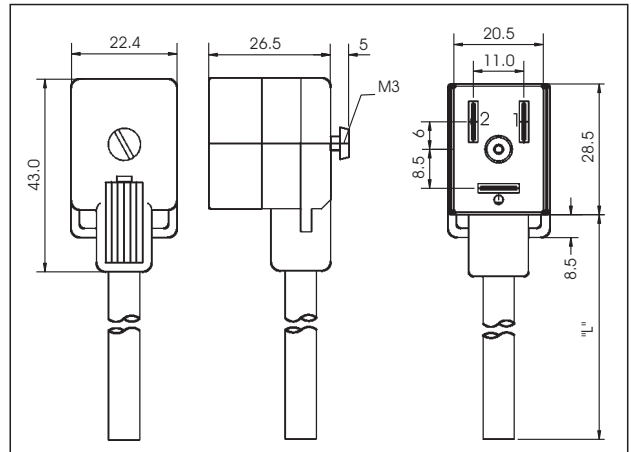
VALVE-CONNECTORS, IP67

View



- Valve connector similar to DIN EN 175301-803
- Industry standard form B
- 2+earth connection
- Without circuitry

Dimensional data



Technical Data

Operating temperature : -25 °C /+80 °C
 Housing/Molded body : TPU, self-extinguishing
 Degree of Protection : IP 67
 Contact : CuZn, nickel-plated and tin-plated

Contact Resistance : $\leq 5m\Omega$
 Nominal current at 40 °C : 4A
 Nominal Voltage : 240V
 Rated Voltage : 250V
 Pollution degree : 3

Catalog Number

Part-No	Poles	Face View female	Color Code	Conductors		Outer Jacket	
				Guage	Stranding	ϕ mm	Material
V-FAZDOV542	2+ 		1 = brown 2 = blue = green / yellow	0.75mm ²	24 x ϕ 0.20	6.0	PVC

"L"=Standard length:2.0m,3.0m,5.0m,10.0m. other cable length or cable specifications on request.

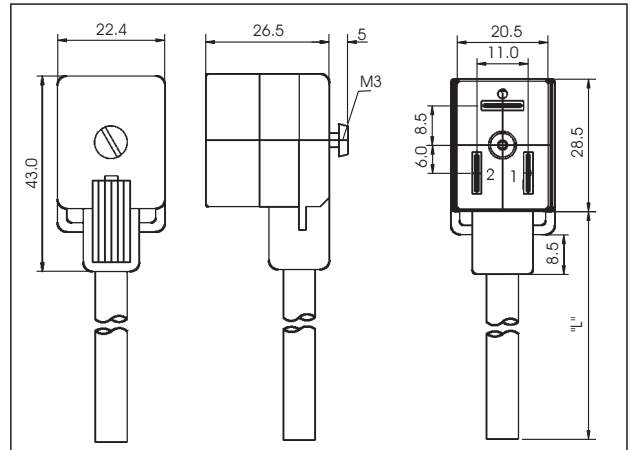
VALVE-CONNECTORS,IP67

View



- Valve connector similar to DIN EN 175301-803
- Industry standard form B
- Cable exit 180°
- Without circuitry
- 2+earth connection

Dimensional data



Technical Data

Operating temperature : -25 °C / +80 °C
 Housing/Molded body : TPU, self-extinguishing
 Degree of Protection : IP 67
 Contact : CuZn, nickel-plated and tin-plated

Contact Resistance : $\leq 5m\Omega$
 Nominal current at 40 °C : 4A
 Nominal Voltage : 240V
 Rated Voltage : 250V
 Pollution degree : 3

Catalog Number

Part-No	Poles	Face View female	Color Code	Conductors		Outer Jacket	
				Guage	Stranding	ϕ mm	Material
V-FAEDOV542	2+ 		1 = brown 2 = blue = green / yellow	0.75mm ²	24 x ϕ 0.20	6.0	PVC

"L"=Standard length:2.0m,3.0m,5.0m,10.0m. other cable length or cable specifications on request.

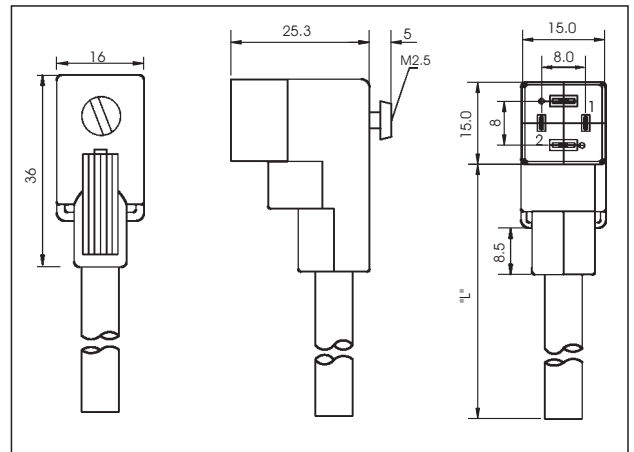
VALVE-CONNECTORS, IP67

View



- Valve connector according to DIN EN 175301-803
- Form C, 8.0mm
- 2+earth connection
- Connected protective earth
- Without circuitry

Dimensional data



Technical Data

Operating temperature : -25 °C /+80 °C
 Housing/Molded body : TPU, self-extinguishing
 Degree of Protection : IP 67
 Contact : CuZn, nickel-plated and tin-plated

Contact Resistance : $\leq 5m\Omega$
 Nominal current at 40 °C : 4A
 Nominal Voltage : 240V
 Rated Voltage : 250V
 Pollution degree : 3

Catalog Number

Part-No	Poles	Face View female	Color Code	Conductors		Outer Jacket	
				Guage	Stranding	ϕ mm	Material
V-FANCOV532	2+ 		1 = brown 2 = blue = green / yellow	0.50mm ²	16x ϕ 0.20	5.0	PVC

"L"=Standard length:2.0m,3.0m,5.0m,10.0m. other cable length or cable specifications on request.

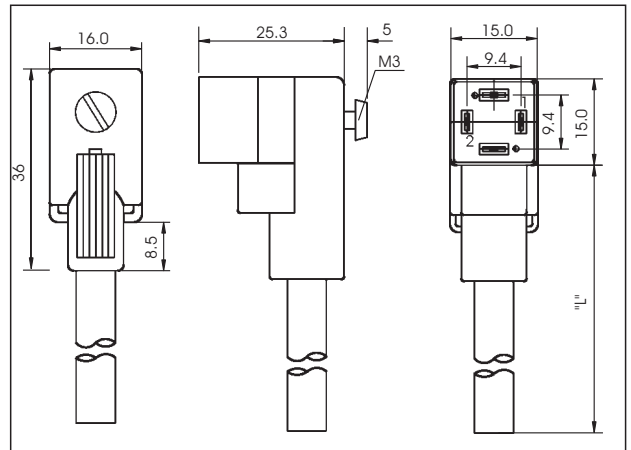
VALVE-CONNECTORS,IP67

View



- Valve connector similar to DIN EN 175301-803
- Industry standard form C (9,4mm)
- 2+earth connection
- Connected protective earth
- Without circuitry

Dimensional data



Technical Data

Operating temperature : -25 °C /+80 °C
 Housing/Molded body : TPU, self-extinguishing
 Degree of Protection : IP 67
 Contact : CuZn, nickel-plated and tin-plated

Contact Resistance : $\leq 5m\Omega$
 Nominal current at 40 °C : 4A
 Nominal Voltage : 240V
 Rated Voltage : 250V
 Pollution degree : 3

Catalog Number

Part-No	Poles	Face View female	Color Code	Conductors		Outer Jacket	
				Guage	Stranding	ϕ mm	Material
V-FANGOV532	2+ 		1 = brown 2 = blue = green / yellow	0.50mm ²	16 x ϕ 0.20	5.0	PVC

"L"=Standard length:2.0m,3.0m,5.0m,10.0m. other cable length or cable specifications on request.

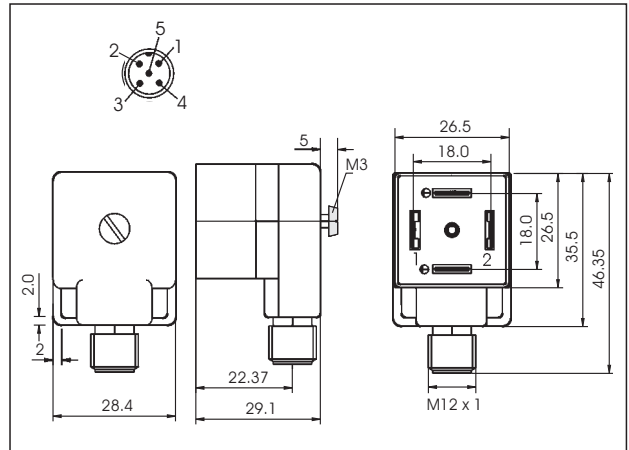
VALVE-CONNECTORS,IP67

View



- Valve connector according to DIN EN 175301-803
- Form A
- With LED function indicator, protection circuit with varistor
- Connected protective earth
- With M12(5pin) male receptacle connector

Dimensional data



Technical Data

Operating temperature : -25 °C /+80 °C

Housing/Molded body : TPU, self-extinguishing
M12 : CuZn,Pre-nickeled and tin-plated

Degree of Protection : IP 67

Contact : CuZn, nickel-plated and tin-plated

Contact Resistance : $\leq 5m\Omega$

Nominal current at 40 °C : 4A

Nominal Voltage : 24V

Rated Voltage : 32V

Pollution degree : 3

Catalog Number

Part-No	Poles	Face View of Female	Circuit Protection
V-MANAVY02x+ M12-5	2+ ⊕ ⊖		

"L"-Standard length:2.0m,3.0m,5.0m,10.0m. other cable length or cable specifications on request.

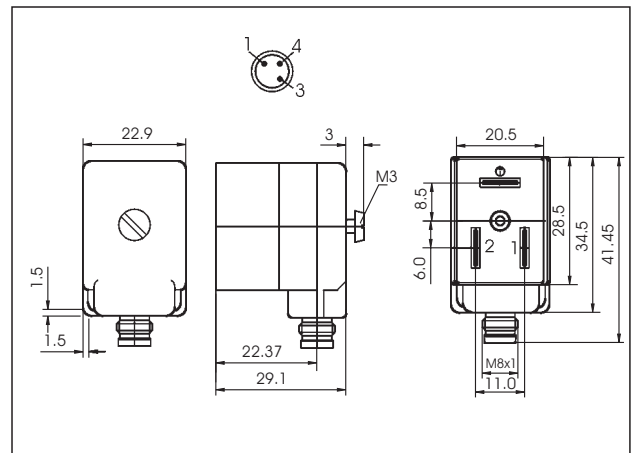
VALVE-CONNECTORS,IP67

View



- Valve connector according to DIN EN 175301-803
- Form B
- With LED function indicator, protection circuit with varistor, connected protective earth
- With M8(3pin) male receptacle connector

Dimensional data



Technical Data

Operating temperature : -25 °C / +80 °C

Housing/Molded body : TPU, self-extinguishing
M8 : CuZn, nickel-plated

Degree of Protection : IP 67

Contact : CuZn, nickel-plated and tin-plated
M8: CuZn, pre-nickeled and 0.8 microns gold-plated

Contact Resistance : $\leq 5m\Omega$


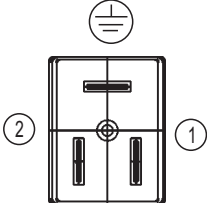
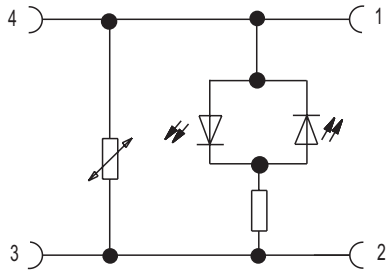
Nominal current at 40 °C : 4A

Nominal Voltage : 24V

Rated Voltage : 32V

Pollution degree : 3

Catalog Number

Part-No	Poles	Face View of Female	Circuit Protection
V-MANDVY02x + M8-3	2+ 		

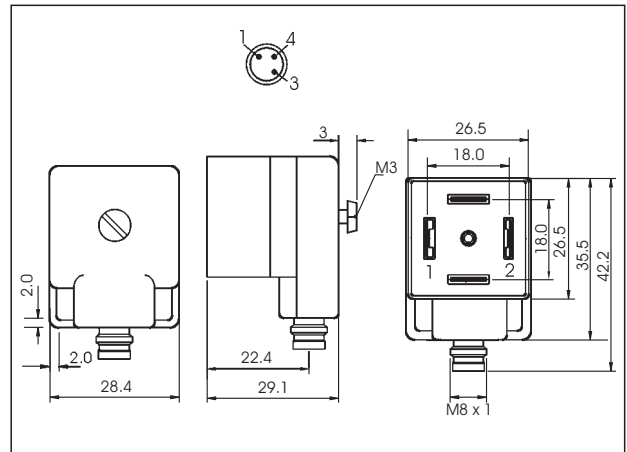
VALVE-CONNECTORS,IP67

View



- Valve connector according to DIN EN 175301-803
- Form A
- With LED function indicator, protection circuit with varistor, connected protective earth
- With M8(3pin) male receptacle connector

Dimensional data



Technical Data

Operating temperature : -25 °C /+80 °C

Housing/Molded body : TPU, self-extinguishing
M8 : CuZn, nickel-plated

Degree of Protection : IP 67

Contact : CuZn, nickel-plated and tin-plated
M8: CuZn, pre-nickeled and 0.8 microns gold-plated

Contact Resistance : $\leq 5m\Omega$

Nominal current at 40 °C : 4A

Nominal Voltage : 24V

Rated Voltage : 32V

Pollution degree : 3

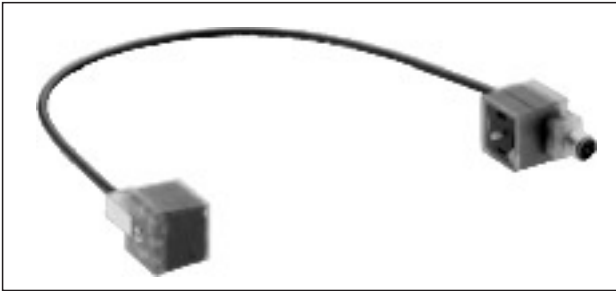
Catalog Number

Part-No	Poles	Face View of Female	Circuit Protection
V-MANAVY02x+M8-3	2+ ⊕ ⊖		

"L"=Standard length:2.0m,3.0m,5.0m,10.0m. other cable length or cable specifications on request.

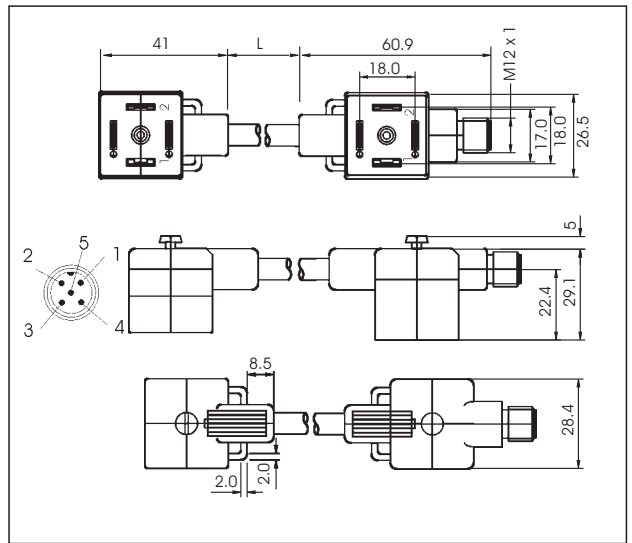
VALVE-CONNECTORS,IP67

View



Double solenoid valve adaptor (valve adaptor with integrated M12(5pin) male receptacle connector). According to DIN EN 175301-803, form A, with LED function indicator and varistor for voltage protection, connected protection earth.

Dimensional data



Technical Data

Operating temperature : -25 °C /+80 °C

Housing/Molded body : TPU, self-extinguishing

Degree of Protection : IP 67

Contact : CuZn, nickel-plated and tin-plated

Contact Resistance : $\leq 5m\Omega$

Nominal current at 40 °C : 4A

Nominal Voltage : 24V

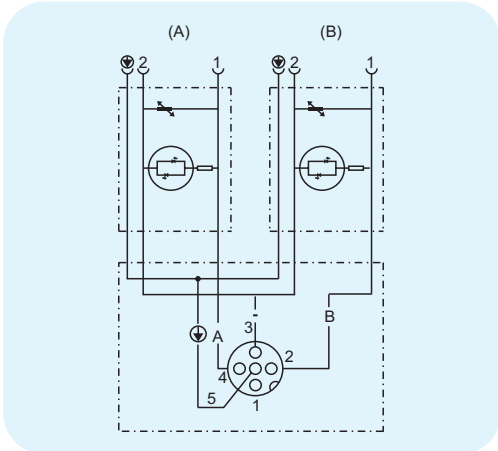
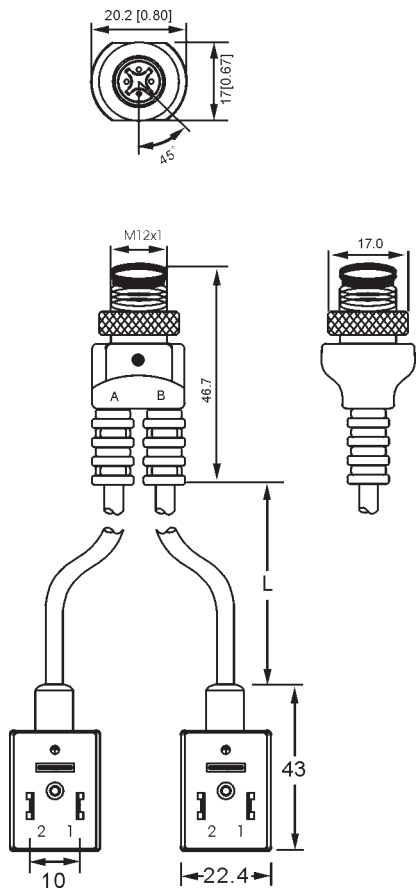
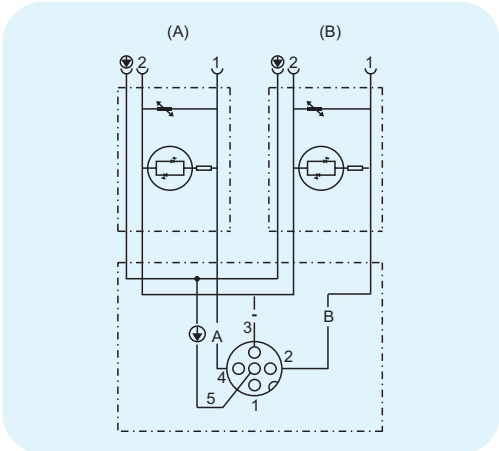
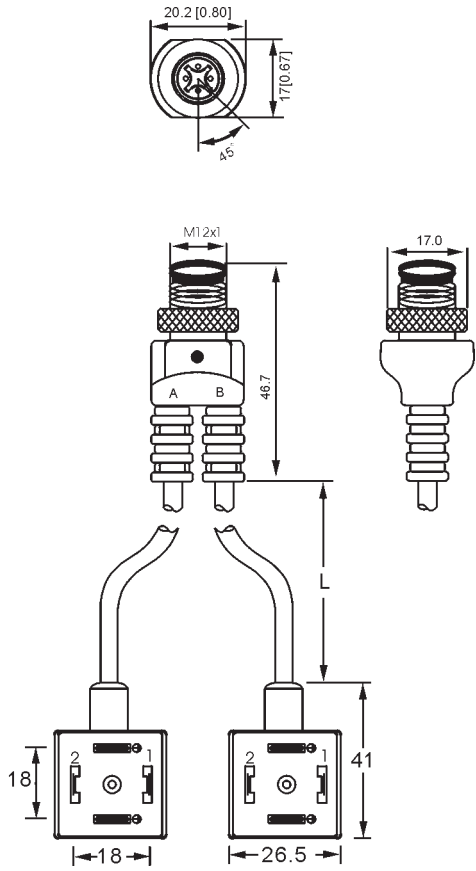
Rated Voltage : 32V

Pollution degree : 3

Catalog Number

Part-No	Poles	Face View female	Color Code	Conductors		Outer Jacket		Circuit
				Gauge	Stranding	ϕ mm	Material	
V-MANAVU56x-M12 + V-FANAVU562	2+ 		1=brown 2=blue \oplus =green / yellow	0.5mm ²	64 x ϕ 0.10	5.5	PUR	

SPLITTERS WITH VALVE-CONNECTORS



SPLITTERS WITH VALVE-CONNECTORS

Description

Micro Splitters with valve connectors
 Variety of standard cable lengths
 Outstanding resistance to oils and chemicals

Technical Data

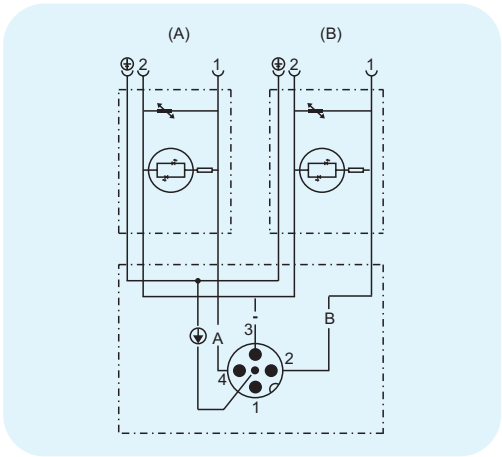
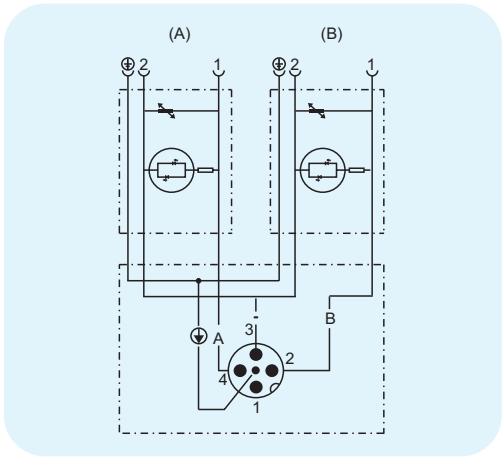
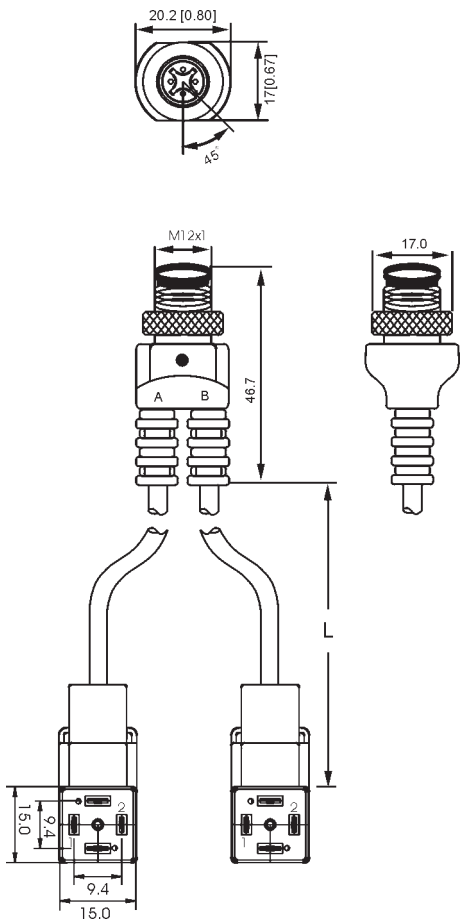
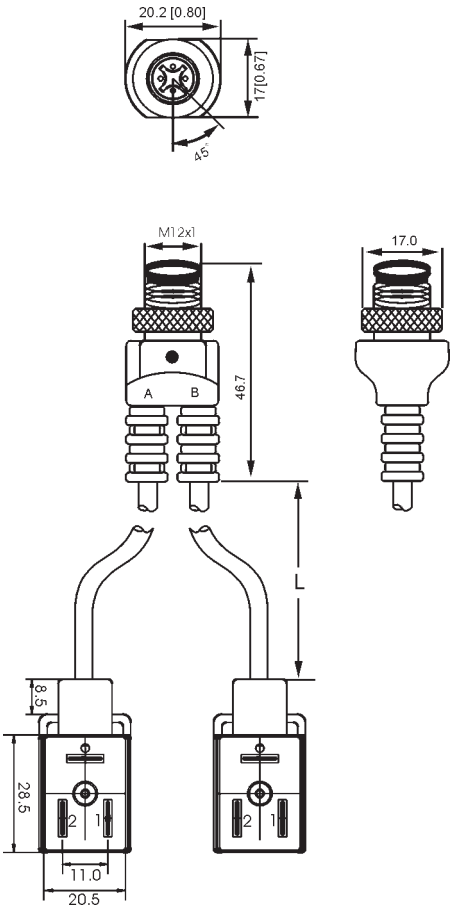
1.Application Class:	-25 °C to +90 °C	Working Voltage:	10-30VDC(w/LED)
2.Materials:		Insulation Resistance:	>10 ⁹ Ω
Molded Body:	PUR(Polyurethane),Orange	4.Mechanical Data:	
Contact:	Brass, gold over nickel plating	Insertion Force (contact):	≤ 2.0N(.45LBS)
Insert:	PUR(Polyurethane),black	Withdrawal Force (contact):	≥ 0.5N(.11LBS)
Coupling Nut:	Brass,nickel plated	Protection:	Ip67, NEMA 6(only in fully locked position)
DIN Body:	Polypropylene		
3.Electrical Date:			
Contact Resistance:	≤ 5m Ω		
Current Rating	4A		

Order Information

Part Number	Face View	Description
U2-R5/3V-FANAVY052		Splitter with two Form A valve connectors, which featured with built-in LED and varistor for voltage protection, connected protective earth.
U2-R5/3V-FANAVV552		
U2-R5/3V-FAZBVY052		Splitter with two Form B valve connectors, which featured with built-in LED and varistor for voltage protection.
U2-R5/3V-FAZBVV552		

"L"=Standard length:2.0m,3.0m,5.0m,10.0m. other cable length or cable specifications on request.

SPLITTERS WITH VALVE-CONNECTORS



SPLITTERS WITH VALVE-CONNECTORS

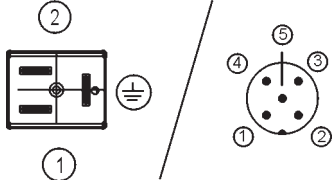
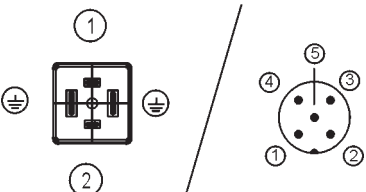
Description

Micro Splitters with valve connectors
 Variety of standard cable lengths
 Outstanding resistance to oils and chemicals

Technical Data

1.Application Class:	-25 °C to +90 °C	Working Voltage:	10-30VDC(with LED)
2.Materials:		Insulation Resistance:	>10 ⁹ Ω
Molded Body:	PUR(Polyurethane),Orange	4.Mechanical Data:	
Contact:	Brass, gold over nickel plating	Insertion Force	
Insert:	PUR(Polyurethane),black	(contact):	≤ 2.0N(.45LBS)
Coupling Nut:	Brass,nickel plated	Withdrawal Force	
DIN Body:	Polypropylene	(contact):	≥ 0.5N(.11LBS)
3.Electrical Date:		Protection:	Ip67, NEMA 6(only in fully locked position)
Contact Resistance:	≤ 5m Ω		
Current Rating	4A		

Order Information

Part Number	Face View	Description
U2-R5/3V-FAZDVY052		Splitter with two Form B valve connectors, which featured with built-in LED and varistor for voltage protection, connected protective earth.
U2-R5/3V-FAZDVV552		
U2-R5/3V-FANGVY052		Splitter with two Form C valve connectors, which featured with built-in LED and varistor for voltage protection, connected protective earth.
U2-R5/3V-FANGVV552		

"L"=Standard length:2.0m,3.0m,5.0m,10.0m. other cable length or cable specifications on request.

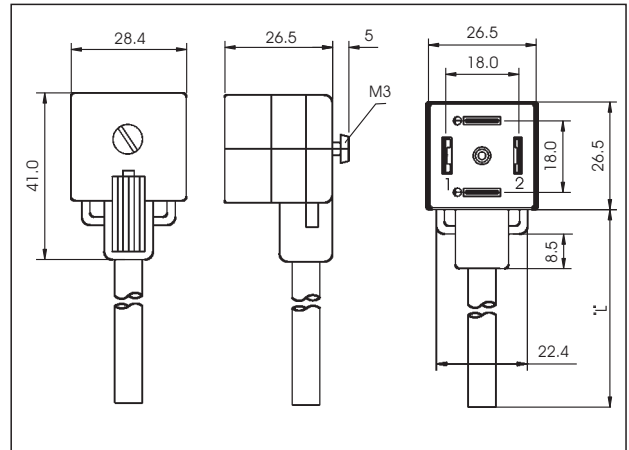
VALVE-CONNECTORS,IP67

View



- Valve connector according to DIN EN 175301-803
- Form A
- Connected protective earth
- With LED function indicator, recovery diode voltage protection

Dimensional data



Technical Data

Operating temperature : -25 °C /+80 °C
 Housing/Molded body : TPU, self-extinguishing
 Degree of Protection : IP 67
 Contact : CuZn, nickel-plated and tin-plated

Contact Resistance : $\leq 5m\Omega$
 Nominal current at 40 °C : 4A
 Nominal Voltage : 24V
 Rated Voltage : 32V
 Pollution degree : 3

Catalog Number

Part-No	Poles	Face View female	Color Code	Conductors		Outer Jacket	
				Guage	Stranding	ϕ mm	Material
V-FANAKV532	2+ 		1 = brown 2 = blue = green / yellow	0.50mm ²	16x ϕ 0.20	5.0	PVC

"L"=Standard length:2.0m,3.0m,5.0m,10.0m. other cable length or cable specifications on request.

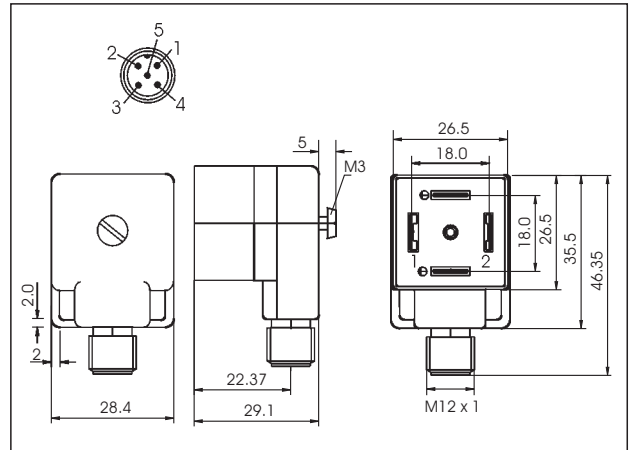
VALVE-CONNECTORS,IP67

View



- Connector for pressure switches according to DIN EN 175301-803
- Form A
- With LED operation and function indicator
- Connected protective earth
- With M12(5pin) male receptacle connector

Dimensional data



Technical Data

Operating temperature : -25 °C /+80 °C

Housing/Molded body : TPU, self-extinguishing
M12 : CuZn,Pre-nickeled and tin-plated

Degree of Protection : IP 67

Contact : CuZn, nickel-plated and tin-plated

Contact Resistance : $\leq 5m\Omega$

Nominal current at 40 °C : 4A

Nominal Voltage : 24V DC

Rated Voltage : 32V

Pollution degree : 3

Catalog Number

Part-No	Poles	Face View of Female	Circuit Protection
V-MANATY02x+ M12-5	2+ ⊕		

"L"=Standard length:2.0m,3.0m,5.0m,10.0m. other cable length or cable specifications on request.